

VERTICAL BLINDS

Table of Contents

Features

Vertical Blinds: Vane Styles and Information	3
Sheer Vertical Blinds: Styles, Fabric Content, Light Control, Light Control Levels	4
Oeko-Tex® Standard 100 Certified Fabrics	4
NFPA 701	4
Vertical Blinds: Vane Features	5

Size Considerations

Vertical Blinds, Depth Requirements for Inside Mount	6
Sheer Vertical Blinds, Depth Requirements for Inside Mount	6

Options

Summary	7
Vertical Blinds: Control Options	8
Sheer Vertical Blinds: Control Options	8
Vertical Blinds: Headrail Systems	9
Vertical Blinds and Sheer Vertical Blinds: Stacking Options	10
Vertical Blinds and Sheer Vertical Blinds: Installation Types	10
Vertical Blinds: Cut-Out Blinds	11
Vertical Blinds: Bottom Chain	11
Vertical Blinds: Stay Clear™ Channel Panel for Fabric Vanes	12
Vertical Blinds and Sheer Vertical Blinds: Paired Blinds	12
Vertical Blinds and Sheer Vertical Blinds: Vane Replacement Ordering	12
Sheer Vertical Blinds: Hem Style	12
Vertical Blinds: Square-Corner Valance	13
Vertical Blinds and Sheer Vertical Blinds: Round-Corner	13
Vertical Blinds and Sheer Vertical Blinds: Double Round-Corner Valances	13
Sheer Vertical Blinds: Dauphine® Valance	13
Vertical Blinds and Sheer Vertical Blinds: Bay and Corner Windows	14
Vertical Blinds: Specialty Shapes: Angled Window Headrail	15

General Information

Vertical Blinds and Sheer Vertical Blinds: Installation Hardware	16
Vertical Blinds and Sheer Vertical Blinds: Number of Mounting Brackets	16
Vertical Blinds and Sheer Vertical Blinds: Clear Opening: How to Measure for Uncovered Window	17
Vertical Blinds: Vane Stacking Chart: G-71 Super-Vue® 3½" (8.9 cm)	17
Vertical Blinds: Vane Stacking Chart: G-98 Ultra-Vue™ 3½" (8.9 cm)	18
Vertical Blinds: Vane Stacking Chart: G-85 Dura-Vue® 3½" (8.9 cm)	18
Vertical Blinds: Vane Stacking Chart: One Touch® Control	19
Sheer Vertical Blinds: Vane Stacking Chart: Outside Mount	20

GRABER®

UNITED STATES PRICE LIST • FEBRUARY 2019

Table of Contents

General Information

Sheer Vertical Blinds: Vane Stacking Chart: Inside Mount	20
Sheer Vertical Blinds: Vane Color Coordination Chart	21
G-71 Super-Vue Product Detail	22
G-98 Ultra-Vue Product Detail	23
G-85 Dura-Vue Product Detail	24
Sheer Vertical Blinds: G-71 Super-Vue Product Detail	25

Price Charts and Options Pricing

Price Group A: G-71 Super-Vue® and G-98 Ultra-Vue™	27
Price Group A: G-85 Dura-Vue®	27
Price Group B: G-71 Super-Vue and G-98 Ultra-Vue	28
Price Group B: G-85 Dura-Vue.	28
Price Group C: G-71 Super-Vue and G-98 Ultra-Vue	29
Price Group C: G-85 Dura-Vue.	29
Price Group C: Stay Clear™ Channel Panel Surcharges	29
Price Group D: G-71 Super-Vue and G-98 Ultra-Vue	30
Price Group D: G-85 Dura-Vue.	30
Price Group D: Stay Clear Channel Panel Surcharges	30
Price Group E: G-71 Super-Vue and G-98 Ultra-Vue.	31
Price Group E: G-85 Dura-Vue.	31
Price Group E: Stay Clear Channel Panel Surcharges.	31
Price Group F: G-71 Super-Vue and G-98 Ultra-Vue.	32
Price Group F: G-85 Dura-Vue.	32
Price Group F: Stay Clear Channel Panel Surcharges.	32
Price Group G: Sheer Vertical Blinds: Gossamer, Highlight.	33
Price Group H: Sheer Vertical Blinds: Bengali, Cascade, Dijon.	33
Options Pricing	34
Vertical Blinds: Headrail Pricing	35
Sheer Vertical Blinds: Replacement Headrail Pricing.	35
Sheer Vertical Blinds: Replacement Fabric Pricing	35
Sheer Vertical Blinds: Replacement Valance Fabric Only Pricing	35
Replacement Dauphine® Valance with Shirred Fabric Pricing.	35
Replacement Round-Corner Valance Pricing	35
Replacement Double Round-Corner Valance Pricing	35

Features

- Choose from a variety of fabric, crown, or S-shaped vinyl vanes
- S-shaped vanes feature a rolling drapery look
- Fabric vanes can be free hanging or inserted into channel panel for more light control and privacy
- Many vinyl styles coordinate with Graber® 2" (5.1 cm) Vinyl Horizontal Blinds
- Several fabric styles coordinate with Graber FashionPleat®, EvenPleat®, or LightWeaves® Shades

Vertical Blinds: Vane Styles and Information

Collection Name	Price Chart	Material Content	Light Control	Vane Style	Street Side Appearance	Coordinates
Fabric						
Allure	E	Fabric	Light filtering/room darkening	FH or INS		LightWeaves Roller
Baskerville	C	Fabric	Light filtering/transparent	FH or INS		
Brighton FR	C	Fabric	Light filtering	FH or INS		FashionPleat and EvenPleat
Compass®	F	Fabric	Room darkening	FH		
Crossweave®	F	Fabric	Light filtering	FH or INS		LightWeaves Roller, FashionPleat, and EvenPleat
Devon	D	Fabric	Light filtering	FH or INS		
Grasses	D	Fabric	Light filtering	FH or INS		
Harmony®	C	Fabric	Light filtering/transparent	FH or INS		LightWeaves Roller
Network	F	Fabric	Light filtering	FH or INS		
Prescott®	F	Fabric	Room darkening	FH		
Royale®	E	Fabric	Light filtering/transparent	FH or INS		LightWeaves Roller
Sheffield®	C	Fabric	Light filtering/transparent	FH or INS		LightWeaves Roller
Strings	E	Fabric	Transparent	FH		
Tahiti Weave	D	Fabric	Light filtering	FH or INS		
Thatch	D	Fabric	Light filtering	FH or INS		
Tuvalu®	E	Fabric	Light filtering/transparent	FH or INS		EvenPleat
Urban Loft®	E	Fabric	Light filtering/transparent	FH or INS		
S-Shaped Vinyl						
Georgetown S	E	100% vinyl	Room darkening	S-shaped	Neutral	2" (5.1 cm) horizontal vinyl
Homespun II S	D	100% vinyl	Room darkening	S-shaped	Neutral	
Linen S	C	100% vinyl	Room darkening	S-shaped	Neutral	2" (5.1 cm) horizontal vinyl
Quantum S	C	100% vinyl	Room darkening	S-shaped	Neutral	
Crown Vinyl						
Acropolis	E	100% vinyl	Room darkening	Crown	Neutral	
Cachet	B	100% vinyl	Room darkening	Crown	Neutral	2" (5.1 cm) horizontal vinyl
Channel Panel	B	100% vinyl	Room darkening	Crown	Same front and back	
Chenille	D	100% vinyl	Room darkening	Crown	Neutral	
Coronation	E	100% vinyl	Room darkening	Crown	Neutral	2" (5.1 cm) horizontal vinyl
Crown	A	100% vinyl	Room darkening	Crown	Neutral	2" (5.1 cm) horizontal vinyl
Fiber	B	100% vinyl	Room darkening	Crown	Neutral	2" (5.1 cm) horizontal vinyl
Grotto	A	100% vinyl	Room darkening	Crown	Same front and back	
Homespun II	C	100% vinyl	Room darkening	Crown	Neutral	2" (5.1 cm) horizontal vinyl
Kensington	E	100% vinyl	Room darkening	Crown	Neutral	2" (5.1 cm) horizontal vinyl
Lake Forest®	C	100% vinyl	Room darkening	Crown	Same front and back	Lake Forest Faux Wood Blinds
Parallels	D	100% vinyl	Room darkening	Crown	Neutral	
Quantum	B	100% vinyl	Room darkening	Crown	Neutral	2" (5.1 cm) horizontal vinyl
Rapture	C	100% vinyl	Room darkening	Crown	Neutral	2" (5.1 cm) horizontal vinyl
Safari	D	100% vinyl	Room darkening	Crown	Neutral	2" (5.1 cm) horizontal vinyl
Satin Stripe	C	100% vinyl	Room darkening	Crown	Neutral	
Stowe	B	100% vinyl	Room darkening	Crown	Neutral	
Window Weaves	B	100% vinyl	Room darkening	Crown	Neutral	

®Oeko-Tex® fabric
FR = Flame resistant NFPA 701

FH = Free hanging fabric
INS = Fabric inserted into channel panel

Features

Sheer vertical blinds combine the soft look of sheer fabric draperies and the light control benefits of vinyl vertical blinds. When the vanes are open, softly diffused light streams into the room through sheer fabric for minimal privacy and light control; when closed, light is blocked from entering the room to provide maximum privacy and light control. Not only for patio doors, sheer vertical blinds also look beautiful on wider or uniquely shaped windows. Plus, sheer vertical fabrics are easily removed and machine washable.

- Fabric easily installed and removed—no need to take down entire blind
- Easily replace original fabric with different style or color when décor changes
- Fabric is machine washable
- Color coordinated thread for a finished appearance
- Heavy-duty aluminum headrail with steel pantograph system ensures smooth operation and proportional spacing of vanes
- Available as both inside and outside mount
- Cord and chain control only
- Stems are removable for easy replacement in the home

Sheer Vertical Blinds: Styles, Fabric Content, and Light Control

Collection Name	Price Chart	Material Content	Light Control	Vane Style	Street Side Appearance	Coordinates
Bengali	H	100% polyester	Sheer/room darkening	FH	Neutral	Graber® Artisan
Cascade	H	100% polyester	Sheer/room darkening	FH	Neutral	Graber Artisan
Dijon	H	100% polyester	Sheer/room darkening	FH	Neutral	
Gossamer	G	100% polyester	Sheer/room darkening	FH	Neutral	Graber Artisan
Highlight	G	100% polyester	Sheer/room darkening	FH	Neutral	Graber Artisan

Light Control Levels

Light Filtering: Light is filtered to varying degrees depending on fabric style and color; silhouettes of objects and people are visible through the blind.

Room Darkening: Light is substantially blocked; vague shadows of objects or people may be visible; maximum room darkening is achieved with darker colors.

Openness: The amount of UV ray blockage is the inverse of a fabric's openness factor (i.e., a fabric with 5% openness blocks 95% of UV rays).

Oeko-Tex® Standard 100 Certified Fabrics

Oeko-Tex Standard 100 certifies that our fabrics are free of PVC, halogen, lead, formaldehyde, allergenic dyes, pesticides, phenols, heavy metals, and meet all VOC content limits.

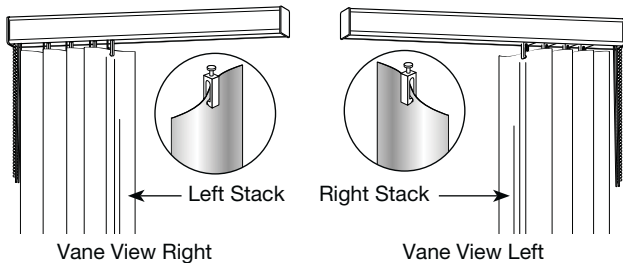
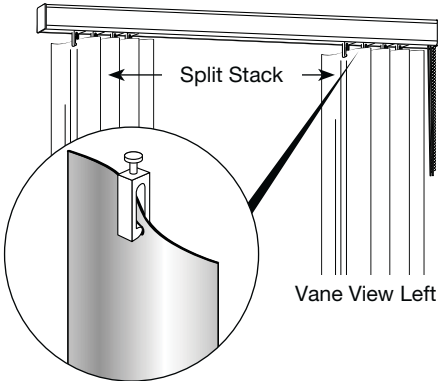
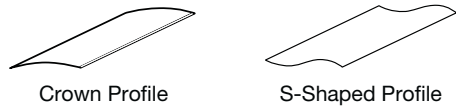


NFPA 701

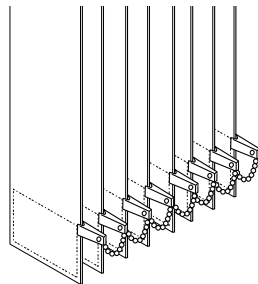
NFPA 701 Flame resistance test is the standard method of fire tests for flame propagation of textiles and films by the National Fire Protection Agency.

Features

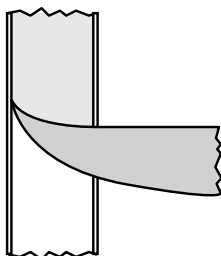
Vertical Blinds: Vane Features



Vane View: Side the color or texture is facing when vanes are rotated open so you can see through the vanes to the street.



Free Hanging Fabric with Bottom Chain and Clips



Vane Material Inserted in Channel Panel

Vinyl Styles

- All vinyl vanes offer value, durability, easy cleaning, and superior light control
- Choose from embossed crown, smooth crown, or S-shaped embossed vinyl vanes
- Embossed textures offered in solids or prints with the look of jacquard or linen fabrics, wood, or stucco
- Coordinating 2" (5.1 cm) horizontal vinyl blinds available for many styles; for pricing on 2" (5.1 cm) horizontal vinyl blinds, see the Graber® 2" (5.1 cm) horizontal vinyl price list

Vinyl Crown Vanes

- Traditional curved vanes

Vinyl S-Shaped Vanes

- Provide a more drapery like look to your vertical blinds
- Provide better closure for more light control and privacy
- Valances are made with crown PVC of the same texture and color; dye lot cannot be guaranteed
- S-shaped vanes are NOT reversible; vane view shows which side the color/texture is facing when vanes are rotated open so you can see out the window
 - Right stack and split stack—left
 - Left stack—right
- You may choose a vane view other than the recommended if you are concerned about which side of the vane you will see when blinds are rotated open
- For paired, bay and corner blinds, the same vane view is recommended for all blinds

NOTE: See illustrations on how S-shaped vanes will hang.

Fabric Vanes

- Designer fabric vane styles range from sheer to room darkening in a variety of weaves and materials
- Free-hanging vanes come with sewn-in bottom weights and optional chain and clips
- For increased privacy and room darkening, fabric vanes can be inserted into channel panels; the clear edge channels hold fabric securely and will not yellow over time; the opaque vinyl vanes provide additional privacy and light control; see price chart G for replacement pricing
- Coordinating Graber pleated, Roman, solar, and roller shade fabric and Graber sliding panels are available for selected styles
- Available in 3½" (8.9 cm) fabric styles

Additional Information

- Due to the nature of vane materials (both fabric and vinyl prints), colors may vary slightly from dye lot to dye lot; exact matches cannot be guaranteed
- Due to the random design of some vane patterns, exact alignment of the pattern across the blind is not possible

Size Considerations

Vertical Blinds

	Width			Height	
	Minimum Single Stack inches (cm)	Minimum Split Stack inches (cm)	Maximum inches (cm)	Minimum inches (cm)	Maximum inches (cm)
G-71 Super-Vue®	9 (22.9)	12 (30.5)	191 (485.2)	12 (30.5)	192 (487.7)
G-98 Ultra-Vue™	9 (22.9)	17 (43.2)	191 (485.2)	12 (30.5)	192 (487.7)
G-85 Dura-Vue®	9 (22.9)	12 (30.5)	178¾ (454.1)	12 (30.5)	144 (365.8)
One Touch®	9 (22.9)	N/A	144 (365.8)	12 (30.5)	96 (243.9)



One Touch Control: 10,080 square inches (6.5 square meters) maximum overall size. Minimum wand length is 33" (83.9 cm).

Factory Deductions

Mount	Mount Bracket Location	Valance	Height Deduction G-71 inches (cm)	Height Deduction G-98 inches (cm)	Height Deduction G-85 inches (cm)
Outside	All types	Yes/no	0 (0.0)	0 (0.0)	0 (0.0)
Inside	Ceiling or top	No	¾ (1.6)	½ (1.3)	½ (1.3)
Inside	Ceiling or top	Yes	¾ (2.0)	¾ (1.6)	½ (1.3)
Inside	Wall or back	No	1⅛ (2.7)	¾ (2.3)	¾ (2.3)
Inside	Wall or back	Yes	1½ (2.9)	1½ (2.9)	1½ (2.9)

Mount	Width Deductions inches (cm)
Outside	0 (0.0)
Inside	¼ (0.7)



Depth Requirements for Inside Mount

	Headrail Dimensions inches (cm)	 Minimum Depth Mount inches (cm)	Headrail Flush with Casing (vanes and/or valance not flush with casing) inches (cm)	Depth Needed for Flush Mount Vane inches (cm)	 Depth Needed for Flush Mount Valance inches (cm)
G-71 Super-Vue	1⅞ x 1⅝ (3.5 x 5.0)	2⅞ (6.1)	3 (7.7)	3¾ (9.6)	4⅞ (11.8)
G-98 Ultra-Vue	1⅞ x 1⅞ (2.9 x 3.5)	2⅞ (6.1)	2⅞ (6.9)	3¾ (9.6)	4⅞ (11.8)
G-85 Dura-Vue	1⅞ x 1½ (3.4 x 3.9)	2⅞ (6.1)	2¾ (7.0)	3¾ (9.6)	4⅞ (11.8)

Sheer Vertical Blinds

	Width		Height	
	Minimum inches (cm)	Maximum inches (cm)	Minimum inches (cm)	Maximum inches (cm)
Sheer Vertical Blinds	17 (43.2)	191 (485.2)	19 (48.3)	104 (264.2)

Depth Requirements for Inside Mount

 Minimum Depth Partially Recessed Mount inches (cm)	Depth Needed for Flush Mount Headrail inches (cm)	Depth Needed for Flush Mount Vane inches (cm)	 Depth Needed for Flush Mount Valance inches (cm)
2⅞ (6.1)	3 (7.7)	5¼ (13.4)	6 (15.3)

Partially Recessed: A partially recessed window treatment is where the depth of the window casing is less than the space necessary for a flush mount.

Flush Mount: If the window casing is deep enough to mount the entire blind inside of it, this is called a flush mount.

Options

Summary

The following is a list of options for vertical and sheer vertical blinds. All options are available in all styles and colors. Limitations will be based on fabric width. See detailed descriptions on the following pages.

Vertical Blinds

Control Type Options—No Charge

- Cord and chain controls
- One Touch® Control (standard)

Options—No Charge

- Bay and corner windows
- Paired blinds
- Projection bracket: 4 $\frac{3}{8}$ " (11.2 cm)

Options—Surcharge (see price charts for pricing and/or surcharges)

- Bottom chain and clips (fabric)
- Bottom chain (vinyl)
- Cut-outs
- Round-corner valance
- Double round-corner valance
- Square-corner valance
- Stay Clear™ channel panels
- Wood cornices and valances (see cornices and valances price list)

Specialty Options (see price charts for pricing and/or surcharges)

- Angled top

Sheer Vertical Blinds

Control Type Options—No Charge

- Standard cord and chain controls

Options—No Charge

- Bay and corner windows
- Dauphine® valance
- Paired blinds

Options—Surcharge (see price charts for pricing and/or surcharges)

- Round-corner valance
- Double round-corner valance
- Wood cornices and valances (see cornices and valances price list)

Options

Vertical Blinds: Control Options



Cord and Chain

- **No charge**
- Cord controls vane traverse
- Chain controls vane rotation

One Touch® Wand Control—Standard

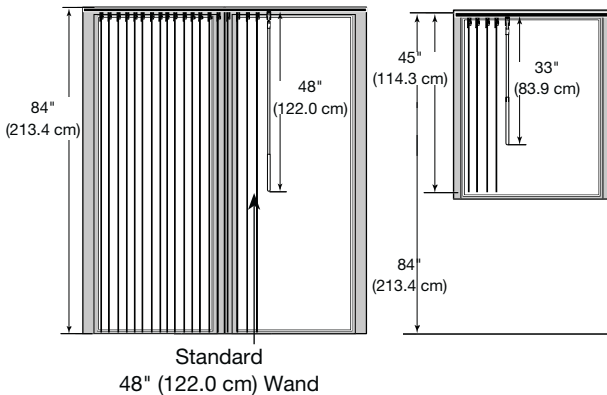
- **No charge**
- A slender wand controls vane rotation and traversing
- Simple, convenient, safe (no cords and chains)
- Recommended for homes with children or pets
- Available with single stack only; no split stack or opposite stack
- Wand is always attached to leading vane

Width		Height	
Minimum inches (cm)	Maximum inches (cm)	Minimum inches (cm)	Maximum inches (cm)
9 (22.9)	144 (365.8)	12 (30.5)*	96 (243.9)

Maximum overall size: 10,080 square inches (6.5 square meters) (width x height)

Wand Sizes

Keep in mind that the wand length is determined by the finished blind height. If the vertical blind covers a patio door or the bottom of the vertical blind reaches the floor, the following chart indicates wand length. If the headrail distance from the floor is greater than 77" (195.6 cm) or there is any furniture in front of the blind, specify a 48" (122.0 cm) or 60" (152.4 cm) wand for easy accessibility.



Blind Height inches (cm)	Wand Height inches (cm)
77 (195.6) or less*	33 (83.9)
77½ to 92 (195.9 to 233.7)	48 (122.0)
92½ to 96 (234.0 to 243.9)	60 (152.4)

*If blind is less than 35" (88.9 cm), wand will be longer than vanes. The standard cord and chain control is recommended.

Sheer Vertical Blinds: Control Options

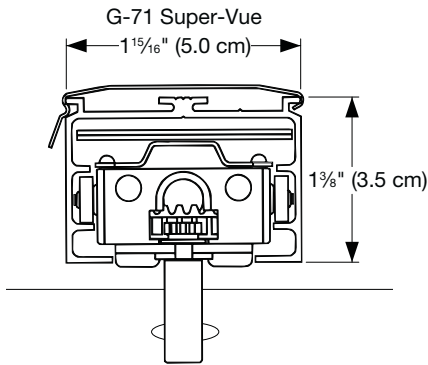


Cord and Chain

- **No charge**
- Cord controls vane traverse
- Chain controls vane rotation

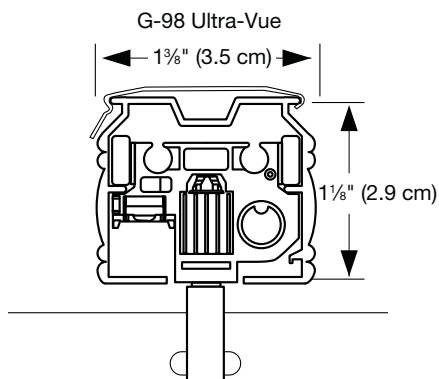
Options

Vertical Blinds: Headrail Systems



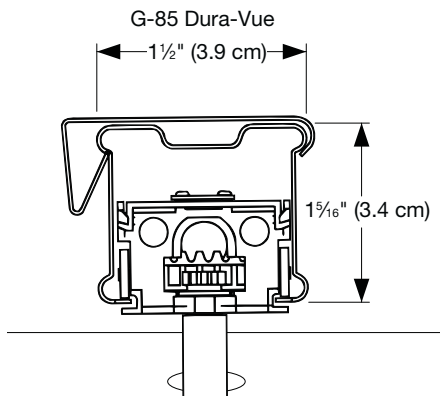
G-71 Super-Vue®

The top-of-the-line G-71 Super-Vue features the patented pantograph traversing system to assure proportional spacing of vanes when closed. G-71 Super-Vue is available in a smooth, anodized aluminum channel. Ball bearing pulleys in the control mechanism and thermoplastic self-lubricating wheels on every carriage allow for smooth traversing vanes. Clear stems provide a sleek appearance with both fabrics and vinyl vanes. E-Z Open™, available only on the G-71 headrail, automatically rotates the vanes when the cord is pulled to traverse the blind.



G-98 Ultra-Vue™

The anodized aluminum G-98 Ultra-Vue headrail system traverses vanes smoothly through the consecutive action of stainless steel pick-up tails. Ultra-Vue carriers are wheeled for smooth traversing and are self-aligning.



G-85 Dura-Vue®

G-85 Dura-Vue headrails traverse vanes smoothly with a thermoplastic strap system. Dura-Vue steel headrail is offered in an ivory painted finish. Dura-Vue carriers are wheeled for smooth traversing.

The design of all Graber® headrails allows for reversible installation, providing versatile placement of controls on either the left or right.

Options

Vertical Blinds and Sheer Vertical Blinds: Stacking Options



Split Stack
Left Controls
(right controls available)



Left Stack
Same Side Stack
and Controls



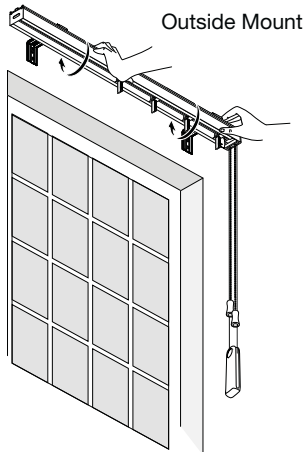
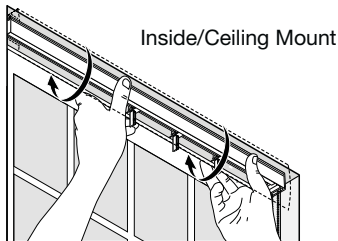
Right Stack
Same Side Stack and
Controls



Opposite Stack
and Controls

VERTICALS ONLY: There is a surcharge for center/uneven stack and opposite stack.
Center/uneven stack available on G-71 Super-Vue® headrails for blinds with vanes only.

Vertical Blinds and Sheer Vertical Blinds: Installation Types



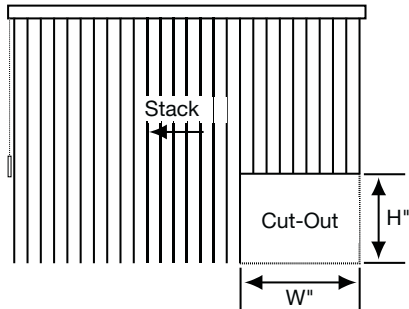
1. Inside Mount—Ceiling or Top of Window Frame (standard)
Manufacturing height deduction is taken for blinds being installed as inside, ceiling mount with or without a valance.
2. Inside Mount—Wall or Back of Window Frame
Manufacturing height deduction is taken for blinds being installed as inside mount using the L-bracket for a wall mount. An additional manufacturing height deduction is taken if a valance is included, to accommodate the height of the Dauphine® valance bracket.
3. Outside Mount—Wall or Back (standard)
No manufacturing height deduction is taken.
4. Outside Mount—Ceiling or Top (optional)
No manufacturing height deduction is taken.

Options

Vertical Blinds: Cut-Out Blinds



- **For surcharges, see options pricing**
- Order when air conditioner, heating register, or other object would interfere with vanes
- Blind must stack away from cut-out area
- Specify size and base price by maximum width and height of blind
- Submit drawing to identify size and location of cut-out (see example)
- Minimum cut-out width 3½" (8.9 cm)
- Cut-out must be a full vane width (3½" (8.9 cm)); therefore may be wider than ordered
- Not available with bottom chain



Vertical Blinds: Bottom Chain



Bottom Chain
Vinyl Vanes
(Must be requested at time of order.)

- **For surcharges, see options pricing**
- Optional, must be requested at time of order
- Not available with channel panel, S-shaped vanes, angle top, or cut-out blinds

Vane Style	Standard/Option	Description
Fabric	Standard	3-sided sewn-in weight
	Option	Single nickel-plated chain at back of vanes with clips
Vinyl	Standard	No bottom chain
	Option	Single nickel-plated chain in the middle of the vanes
Channel Panel	Standard	No bottom weights or chain

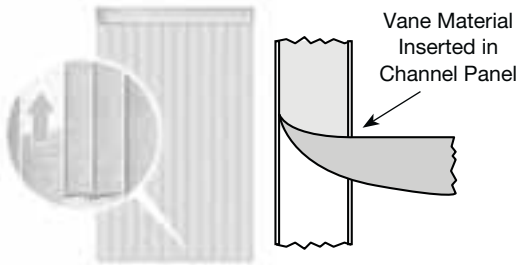


Back Side
of Vanes
Shown

Bottom Chain and Clip
Fabric Vanes
(Free hang only.)

Options

Vertical Blinds: Stay Clear™ Channel Panel for Fabric Vanes



- **See surcharge on price charts**
- Replacement channel panel pricing, see price chart B
- Vane material inserted into extruded channel panel with clear edges; see blind features for fabric styles available
- Offers improved privacy, room darkening, and a neutral color appearance from exterior of window
- Channel panel colors are: Ivory (#7137) or White (#7136)
- Not available with bottom chain

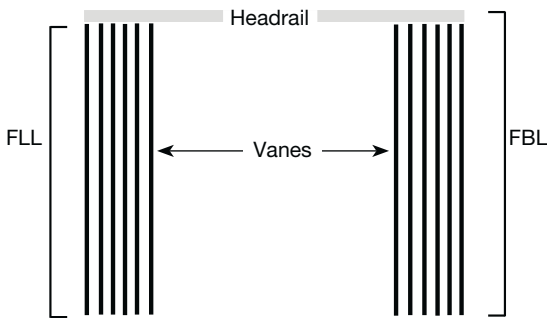
Vertical Blinds and Sheer Vertical Blinds: Paired Blinds



- **Price as two separate blinds**
- The appearance of a split stack blind can be achieved by pairing blinds; the center opening point can be either on center or off center
- Paired blinds can also be used when the required width is larger than the maximum width available for a single blind
- Specify paired blinds on your order
- Control locations must be same as stack
- Recommend ordered as left/left and right/right
- Square-corner valance with dust cover only
- **Available with one-way cord and chain only**

Vertical Blinds and Sheer Vertical Blinds: Replacement Vane Ordering

See the column at the far right of each price chart, for individual vane pricing based on material desired.



How to Price a Replacement Vane

- Use the price charts for individual vane pricing
- Determine which chart based on material desired
- Locate height of your vane on the left side of the chart
- Use the price on the right side of chart that coincides with the height of vane desired

How to Measure a Replacement Existing Vane, No Changes

- Measure the vane(s) from tip to tip to determine the exact finished vane length/height (FLL)
- No additional deductions will be taken by manufacturing; vanes will be manufactured to the exact size you provide
- Submit the measurement as exact height

How to Measure a Replacement Existing Vane, Changing the Height of the Vanes

- Measure from top of mounted headrail to bottom of location to be covered
- Record this measurement; this is the finished blind length/height (FBL)
- Manufacturing will take appropriate deduction so vanes will cover desired area

NOTE: Free hang fabric vanes include bottom weights.

Bottom chains for vinyl vanes are optional; must be specified at time of order

Sheer Vertical Blinds: Hem Style



- 4" (10.2 cm) drapery hem is standard

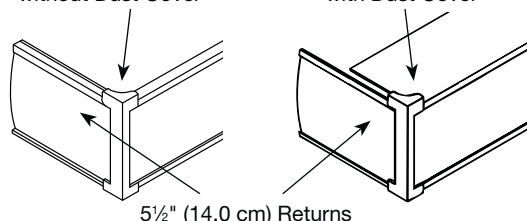
Options

Vertical Blinds: Square-Corner Valance



Square-Corner Valance without Dust Cover

Square-Corner Valance with Dust Cover



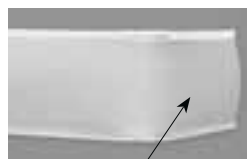
5 1/2" (14.0 cm) Returns

- For surcharge, see price charts
- The square-corner valance is an extruded vinyl, Stay-Clear™ channel panel, which is sized to hold 3 1/2" (8.9 cm) wide vane material; it includes two 5 1/2" (14.0 cm) returns
- Valances greater than 192" (487.7 cm) must have a dust cover
- Vinyl valance inserts are not available over 191" (485.1 cm) wide

Maximum Valance Size Limitations

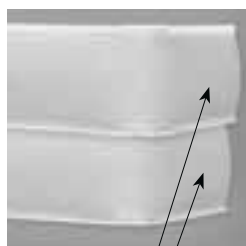
	Valance		Returns	
	Maximum Vinyl inches (cm)	Maximum Fabric inches (cm)	Minimum inches (cm)	Maximum inches (cm)
Square-Corner Valance	191 (485.2)	191 (485.2)	3 (7.7)	8 (20.4)

Vertical Blinds and Sheer Vertical Blinds: Round-Corner and Double Round-Corner Valances



5 1/2" (14.0 cm) Return

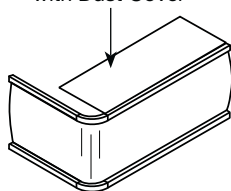
Round-Corner Valance



5 1/2" (14.0 cm) Return
4 3/4" (11.8 cm) Return

Double Round-Corner Valance

Round-Corner Valance with Dust Cover



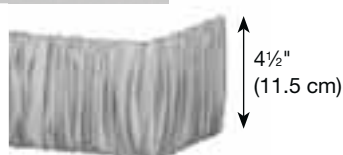
Outside Mount Only

- For surcharge, see price charts
- The round-corner valance system features the Stay-Clear channel panel and is guaranteed not to yellow; accommodates vinyl and fabric vanes as inserts; S-shaped style vanes use matching crown profile for valance insert
- Create a layered look with a double round-corner valance
- Round and double round-corner valances include 5 1/2" (14.0 cm) returns
- Single round-corner valance: 3 3/4" (9.6 cm) high
- Double round-corner valance: 6 1/2" (16.6 cm) high

Maximum Valance Size Limitations

	Valance		Returns	
	Maximum Vinyl inches (cm)	Maximum Fabric inches (cm)	Minimum inches (cm)	Maximum inches (cm)
Round-Corner Valance	175 (444.5)	191 (485.2)	3 (7.7)	8 (20.4)
Double Round-Corner Valance	175 (444.5)	191 (485.2)	3 (7.7)	8 (20.4)

Sheer Vertical Blinds: Dauphine® Valance



- No charge
- Fabric is Shirred for a soft look
- Snap-in brackets for easy installation
- Threader cap provides no-sag Shirring of sheer fabric
- Notched for minimum 2 1/2" (6.4 cm) returns and will extend to 7 1/2" (19.1 cm) using the additional return slides which are included

NOTE: Top hem of blind will be visible below the Dauphine valance.

Also available are wood cornices and valances; see cornice and valance price list for more information.

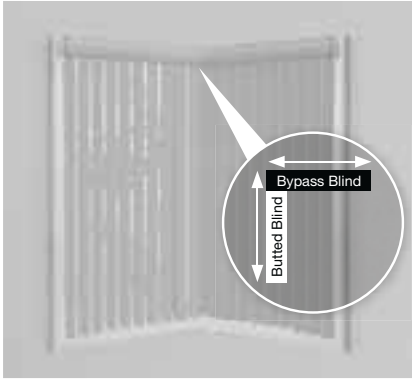
Options

Vertical Blinds and Sheer Vertical Blinds: Bay and Corner Windows

- No charge
- Minimal corner gaps
- Square-corner valance with dust cover only
- Chain and cord only
- Each blind is controlled separately

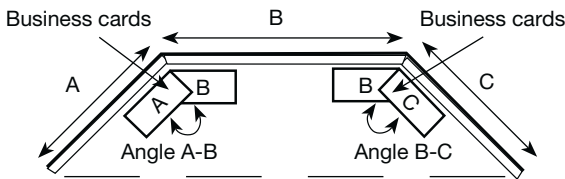
- List each track width and height on separate lines
- Price as separate blinds
- If no deductions are required, do not order as bay or corner
- Sheer verticals—Dauphine® valance only

Measuring Information



Corner Window

Measure: Width of each window from corner to the point you would like to cover.

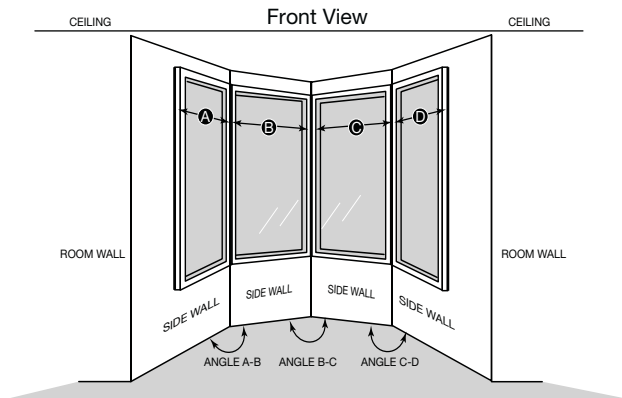


Three-Sided Bay Window

Measure:

- A and C: Width of side windows from the corners to the point you would like the blind to cover.
- B: Width of the center window from corner to corner.
- Angle A-B: Angle between windows (A) and (B).
- Angle B-C: Angle between windows (B) and (C).

Measure bay angle using protractor or angle finder. Or use two business cards in bay corner as illustrated and fax to customer service.

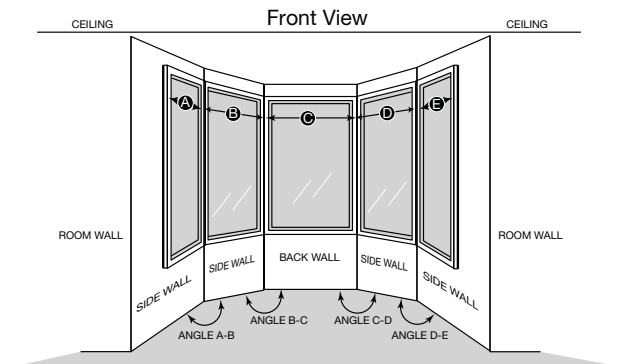


Four-Sided Bay Window

Measure:

- A and D: Width of side windows from the corners to the point you would like the blind to cover.
- B and C: Width of each window from corner to corner.
- Angle A-B: Angle between windows (A) and (B).
- Angle B-C: Angle between windows (B) and (C).
- Angle C-D: Angle between windows (C) and (D).

Measure bay angle using protractor or angle finder. Or use two business cards in bay corner as illustrated and fax to customer service.



Five-Sided Bay Window

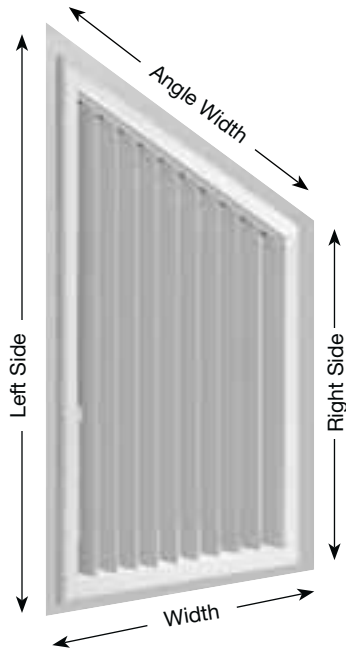
Measure:

- A and E: Width of side windows from the corners to the point you would like the blind to cover.
- B, C, and D: Width of each center window from corner to corner.
- Angle A-B: Angle between windows (A) and (B).
- Angle B-C: Angle between windows (B) and (C).
- Angle C-D: Angle between windows (C) and (D).
- Angle D-E: Angle between windows (D) and (E).

Measure bay angle using protractor or angle finder. Or use two business cards as illustrated and fax to customer service.

Options

Vertical Blinds: Specialty Shapes: Angled Window Headrail



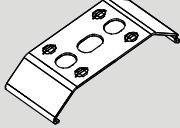

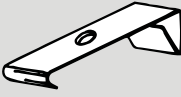
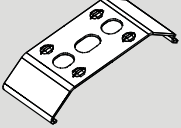
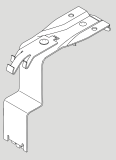
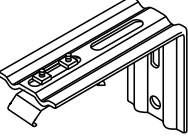
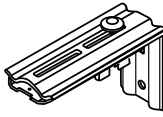
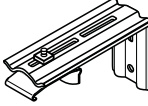
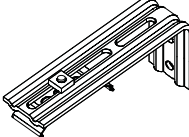
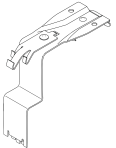
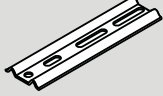
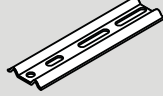
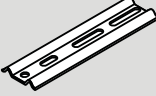
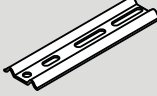
- **For surcharges, see options pricing**
- Ideal for sloping, cathedral-type windows
- Only available in single stack cord control vertical blinds
- Vane stack and cord control must be at the highest point of the window
- Exact dimensions must accompany orders to ensure proper fit
- Steepest slope possible is 55°
- Maximum size: 144" (365.8 cm) wide x 144" (365.8 cm) long, depending on angle
- Minimum low end is 6" (15.3 cm)
- Available on G71 Super-View® headrail only
- Square-corner valance with dust cover only; must be mitered at time of installation
- Bottom chains are not available

Measuring Outside Mount

1. Measure exact width and height of area to be covered. It is recommended that shades overlap window frame or opening by 1½" (3.9 cm) on each side.
2. Measure height of opening on left side and mark this dimension "left". Allow for overlap as desired: 1½" (3.9 cm) on top and bottom is recommended.
3. Measure height of opening on right side and mark this dimension "right". Allow for the same overlap as left side.
4. Factory will determine the angle from these three dimensions.

General Information

Vertical Blinds and Sheer Vertical Blinds: Installation Hardware

	G-71	G-98	G-85	Sheer Vertical Blinds	
Track Clip for Inside or Ceiling Mount					Dauphine® Valance Bracket 
L-Bracket for Outside or Wall Mount					Dauphine Valance Bracket 
Optional Flat Projection Bracket (NOTE: Attaches to angle bracket with nut/bolt pairs. Must be requested at time of order.)					

Vertical Blinds and Sheer Vertical Blinds: Number of Mounting Brackets

Sheer Vertical Blinds: Number of headrail and Dauphine valance mounting brackets

Blind Width inches (cm)	17 to 54 (43.2 to 137.2)	54 ¹ / ₁₆ to 81 (137.4 to 205.8)	81 ¹ / ₁₆ to 108 (205.9 to 274.4)	108 ¹ / ₁₆ to 135 (274.5 to 342.9)	135 ¹ / ₁₆ to 162 (343.1 to 411.5)	162 ¹ / ₁₆ to 191 (411.7 to 485.2)
Number of Brackets	2	3	4	5	6	7

G-98 Headrail

Blind Width inches (cm)	9 to 50 (22.9 to 127.0)	50 to 90 (127.0 to 228.6)	91 to 130 (231.2 to 330.2)	131 to 170 (332.8 to 431.8)	171 to 191 (434.4 to 485.2)
Number of Brackets	2	3	4	5	6

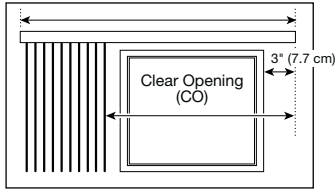
G-71 and G-85 Headrail

Blind Width inches (cm)	9 to 62 (22.9 to 157.5)	63 to 98 (160.1 to 249.0)	99 to 134 (251.5 to 340.4)	135 to 170 (342.9 to 431.8)	171 to 191 (434.4 to 485.2)
Number of Brackets	2	3	4	5	6

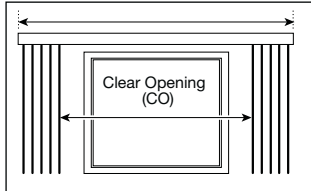
General Information

Vertical Blinds and Sheer Vertical Blinds: Clear Opening: How to Measure for Uncovered Window

Stack Left Finished Blind Width (FBW)



Split Stack
(recommended for
balanced appearance)
Finished Blind Width (FBW)



1. Determine headrail type and the clear opening width for split stack, stack right or stack left (see diagrams)—the additional 3" (7.7 cm) shown for privacy is recommended if ordering a right or left stack.
2. Match the clear opening width with dimension found under "CO" column below. For even spacing, round up width measurement to the next size in the stack chart. Split stack will have even number of vanes.
3. Order the corresponding dimension found in the "FBW" (finished blind width) column below.

EXAMPLE: Stack Left

If determined width for clear opening window view is 54¼" (137.8 cm), order width needed to provide full unobstructed view is 66¾" (169.6 cm).

NOTE: For stack right or stack left blinds add an additional 3" (7.7 cm) to the clear opening before calculating the finished blind width.

For G-98 Ultra-Vue™ and G-85 Dura-Vue® headrails, and One Touch® Control, see appropriate stacking charts for single stack blinds only on the following pages.

Vertical Blinds: Vane Stacking Chart: G-71 Super-Vue® 3½" (8.9 cm)

Number of Vanes	Single Stack		Split Stack	
	CO inches (cm)	FBW inches (cm)	CO inches (cm)	FBW inches (cm)
3	6⅞ (17.5)	10⅞ (25.8)		
4	9½ (24.2)	13¼ (33.7)	7¼ (18.5)	12½ (31.8)
5	12⅞ (30.8)	16⅞ (41.6)		
6	14⅞ (37.8)	19⅞ (49.9)	12½ (31.8)	18¾ (47.7)
7	17½ (44.5)	22¾ (57.8)		
8	20⅞ (51.2)	25⅞ (65.8)	17⅞ (45.5)	25⅞ (63.9)
9	22¾ (57.8)	29 (73.7)		
10	25⅞ (64.5)	32⅞ (81.6)	23¼ (59.1)	31⅞ (79.7)
11	28⅞ (71.5)	35⅞ (89.9)		
12	30¾ (78.2)	38⅞ (97.8)	28½ (72.4)	37¾ (95.9)
13	33⅞ (84.8)	41⅞ (105.8)		
14	36⅞ (91.8)	44¾ (113.7)	33¾ (85.8)	44 (111.8)
15	38¾ (98.5)	47⅞ (121.7)		
16	41⅞ (105.1)	51 (129.6)	39⅞ (99.4)	50¾ (127.7)
17	44 (111.8)	54¾ (137.8)		
18	46⅞ (118.5)	57⅞ (145.8)	44½ (113.1)	56⅞ (143.9)
19	49⅞ (125.5)	60⅞ (153.7)		
20	52 (132.1)	63⅞ (161.7)	49¾ (126.4)	62⅞ (159.8)
21	54⅞ (138.8)	66¾ (169.6)		
22	57⅞ (145.8)	70 (177.8)	55 (139.7)	69⅞ (175.6)
23	60 (152.4)	73⅞ (185.8)		
24	62⅞ (159.1)	76¾ (193.7)	60⅞ (153.4)	75½ (191.8)
25	65¼ (165.8)	79⅞ (201.7)		
26	67⅞ (172.5)	82⅞ (209.6)	65¾ (167.1)	81¾ (207.7)
27	70⅞ (179.4)	85¾ (217.9)		
28	73¼ (186.1)	88⅞ (225.8)	71 (180.4)	88 (223.6)
29	75⅞ (192.8)	92 (233.7)		
30	78⅞ (199.8)	95⅞ (241.7)	76¼ (193.7)	94⅞ (239.8)
31	81¼ (206.4)	98¾ (249.6)		
32	83⅞ (213.1)	101⅞ (257.5)	81½ (207.1)	100⅞ (255.6)

Number of Vanes	Single Stack		Split Stack	
	CO inches (cm)	FBW inches (cm)	CO inches (cm)	FBW inches (cm)
33	86½ (219.8)	104⅞ (265.8)		
34	89⅞ (226.4)	107¾ (273.7)	86⅞ (220.7)	107 (271.8)
35	91⅞ (233.1)	110⅞ (281.7)		
36	94½ (240.1)	114 (289.6)	92⅞ (234.0)	113¼ (287.7)
37	97⅞ (246.7)	117⅞ (297.5)		
38	99¾ (253.4)	120⅞ (305.8)	97⅞ (247.4)	119½ (303.6)
39	102⅞ (260.1)	123½ (313.7)		
40	105⅞ (267.1)	126⅞ (321.7)	102¼ (261.0)	125⅞ (319.8)
41	107¾ (273.7)	129¾ (329.6)		
42	110⅞ (280.4)	132⅞ (337.6)	108⅞ (274.7)	132⅞ (335.6)
43	113 (287.1)	136 (345.5)		
44	115¾ (294.1)	139¾ (353.7)	113⅞ (288.0)	138⅞ (351.5)
45	118⅞ (300.7)	142⅞ (361.7)		
46	121 (307.4)	145½ (369.6)	118⅞ (301.4)	144¼ (367.7)
47	123⅞ (314.1)	148⅞ (377.6)		
48	126⅞ (321.0)	151⅞ (385.5)	124 (315.0)	151 (383.6)
49	129 (327.7)	155 (393.7)		
50	131⅞ (334.4)	158⅞ (401.7)	129¼ (328.3)	157¼ (399.5)
51	134¼ (341.0)	161¼ (409.6)		
52	137 (348.0)	164⅞ (417.6)	134⅞ (342.0)	163⅞ (415.7)
53	139⅞ (354.7)	167½ (425.5)		
54	142¼ (361.4)	170⅞ (433.4)	139⅞ (355.3)	169⅞ (431.5)
55	144⅞ (368.0)	173⅞ (441.7)		
56	147⅞ (375.0)	177 (449.6)	145¼ (369.0)	176¼ (447.7)
57	150¼ (381.7)	180⅞ (457.6)		
58	152⅞ (388.4)	183¼ (465.5)	150½ (382.3)	182½ (463.6)
59	155⅞ (395.0)	186⅞ (473.4)		
60	158¼ (402.0)	189⅞ (481.7)	155⅞ (396.0)	188¼ (479.5)
61	159⅞ (404.2)	191 (485.2)		
62			157 (398.8)	191 (485.2)

FBW = Finished Blind Width

CO = Clear Opening

Stack = FBW - CO

For even spacing on outside mounts, round up width measurement to the next size in the stack chart. Split stack blinds must have an even number of vanes.

General Information

**Vertical Blinds: Vane Stacking Chart:
G-98 Ultra-Vue™ 3½" (8.9 cm)**

Number of Vanes	Single Stack		Split Stack	
	CO inches (cm)	FBW inches (cm)	CO inches (cm)	FBW inches (cm)
3	7¼ (18.5)	10¼ (26.1)		
4	10 (25.4)	13¾ (34.0)	8½ (21.6)	13½ (34.3)
5	12½ (32.8)	16½ (42.0)		
6	15½ (39.4)	19 ⅝ (49.9)	14 (35.6)	19¼ (50.2)
7	18¾ (46.7)	22¾ (57.8)		
8	21½ (53.7)	25½ (65.8)	19½ (49.6)	26 (66.1)
9	23 ⅞ (60.7)	29 (73.7)		
10	26¾ (68.0)	32½ (81.6)	25½ (63.9)	32¼ (82.0)
11	29¾ (74.7)	35½ (89.3)		
12	32¼ (82.0)	38¼ (97.2)	30¾ (77.8)	38¾ (97.5)
13	35 (88.9)	41¾ (105.1)		
14	37¾ (95.9)	44¼ (113.1)	36¼ (92.1)	44¾ (113.4)
15	40½ (102.9)	47½ (121.0)		
16	43¾ (110.2)	50¾ (129.0)	41¼ (106.1)	50¾ (129.3)
17	46½ (117.2)	53¾ (136.9)		
18	48¾ (124.2)	57 (144.8)	47¾ (120.4)	57½ (145.1)
19	51¾ (131.2)	60 (152.4)		
20	54¾ (138.2)	63¾ (160.4)	52¾ (134.4)	63¼ (160.7)
21	57¼ (145.5)	66¼ (168.3)		
22	60 (152.4)	69¾ (176.3)	58¾ (148.3)	69½ (176.6)
23	62¾ (159.4)	72½ (184.2)		
24	65½ (166.4)	75¾ (192.1)	64 (162.6)	75¼ (192.5)
25	68¼ (173.4)	78¾ (200.1)		
26	71¼ (180.7)	80¾ (205.5)	69½ (176.6)	82 (208.3)
27	73¾ (187.7)	85 (215.9)		
28	76¾ (194.7)	88 (223.6)	75 (190.5)	88½ (223.9)
29	79¾ (201.7)	91¼ (231.5)		
30	82¼ (209.0)	94¼ (239.4)	80¾ (204.8)	94¾ (239.8)
31	85 (215.9)	97¾ (247.4)		
32	87¾ (222.9)	100½ (255.3)	86¾ (218.8)	100¾ (255.6)
33	90½ (229.9)	103¾ (263.3)		
34	93¼ (238.2)	106¾ (271.2)	91¼ (233.1)	106¾ (271.5)
35	96¾ (244.2)	109¾ (279.1)		
36	98¾ (250.9)	112¾ (286.8)	97¼ (247.1)	113 (287.1)
37	101¾ (258.2)	116 (294.7)		
38	104¾ (265.2)	119¼ (302.6)	102¾ (261.4)	119¼ (302.9)
39	107¾ (272.1)	122¼ (310.6)		
40	109¾ (279.1)	125¾ (318.5)	108¾ (275.3)	125½ (318.8)
41	112¾ (286.4)	128½ (326.4)		
42	115¾ (293.4)	131 ⅝ (334.4)	113¾ (289.3)	131¼ (334.7)
43	118¼ (300.4)	134¾ (342.3)		
44	121¼ (307.7)	137¾ (350.3)	119½ (303.6)	138 (350.6)
45	123¾ (314.4)	140¾ (357.9)		
46	126¾ (321.7)	144 (365.8)	125 (317.5)	144¾ (366.1)
47	129¾ (328.7)	147¾ (373.7)		
48	132¾ (335.6)	150¼ (381.7)	130¾ (331.8)	150¾ (382.0)
49	134¾ (342.6)	153¾ (389.6)		
50	137¾ (349.6)	156½ (397.6)	136¾ (345.8)	156¾ (397.9)
51	140¾ (356.9)	159¾ (405.5)		
52	143¼ (363.9)	162¼ (413.4)	141¼ (360.1)	162¾ (413.8)
53	146 (370.9)	165¼ (421.1)		
54	148¾ (377.9)	168¾ (429.0)	147¼ (374.1)	169 (429.3)
55	151¾ (385.2)	172 (436.9)		
56	154¾ (392.2)	175¾ (444.9)	152¾ (388.0)	175¼ (445.2)
57	157¾ (399.1)	178¼ (452.8)		
58	159¾ (406.1)	181¾ (460.7)	158¼ (402.0)	181½ (461.1)
59	162¾ (413.1)	184½ (468.7)		
60	165¾ (420.4)	187¾ (476.6)	163¾ (416.3)	187¼ (476.9)
61	168¾ (427.1)	190¾ (484.2)		
62	168¾ (427.1)	191 (485.2)	166½ (423.0)	191 (485.2)

**Vertical Blinds: Vane Stacking Chart:
G-85 Dura-Vue® 3½" (8.9 cm)**

Number of Vanes	Single Stack		Split Stack	
	CO inches (cm)	FBW inches (cm)	CO inches (cm)	FBW inches (cm)
3	6⅞ (17.5)	10⅞ (25.8)		
4	9½ (24.2)	13¼ (33.7)	7¼ (18.5)	12½ (31.8)
5	12½ (30.8)	16¾ (41.6)		
6	14¾ (37.5)	19½ (49.6)	12½ (31.8)	18¾ (47.7)
7	17¾ (44.2)	22¾ (57.5)		
8	20 (50.8)	25¾ (65.5)	17¼ (45.1)	25 (63.5)
9	22¾ (57.8)	28¾ (73.4)		
10	25¾ (64.5)	32 (81.3)	23 (58.5)	31¼ (79.4)
11	28 (71.2)	35 ⅝ (89.3)		
12	30¾ (77.8)	38 ¼ (97.2)	28¾ (72.1)	37½ (95.3)
13	33¼ (84.5)	41¾ (105.1)		
14	35¾ (91.2)	44¼ (113.1)	33¾ (85.5)	43¼ (111.2)
15	38½ (97.8)	47¾ (121.0)		
16	41½ (104.5)	50 ¾ (129.0)	38¾ (98.8)	50 (127.0)
17	43¾ (111.2)	53¾ (136.9)		
18	46¾ (117.8)	57 (144.8)	44¾ (112.1)	56¼ (142.9)
19	49 (124.5)	60¾ (152.8)		
20	51¾ (131.2)	63¾ (160.7)	49¾ (125.5)	62½ (158.8)
21	54¾ (138.2)	66¾ (168.6)		
22	57 (144.8)	69½ (176.6)	54¾ (138.8)	68¾ (174.7)
23	59¾ (151.5)	72¾ (184.5)		
24	62¼ (158.2)	75¾ (192.5)	60 (152.4)	75 (190.5)
25	64¾ (164.8)	78¾ (200.4)		
26	67½ (171.5)	82 (208.3)	65¼ (165.8)	81¼ (206.4)
27	70¾ (178.2)	85¾ (216.3)		
28	72¾ (184.8)	88¼ (224.2)	70½ (179.1)	87½ (222.3)
29	75¾ (191.5)	91¾ (232.1)		
30	78 (198.2)	94¾ (240.1)	75¾ (192.5)	93¾ (238.2)
31	80¾ (204.8)	97¾ (248.0)		
32	83¼ (211.5)	100¾ (256.0)	81 (205.8)	100 (254.0)
33	85¾ (218.2)	103¾ (263.9)		
34	88½ (224.8)	107 (271.8)	86¼ (219.1)	106 ⅝ (269.9)
35	91¾ (231.5)	110¾ (279.8)		
36	93¾ (238.5)	113¼ (287.7)	91½ (232.5)	112½ (285.8)
37	96½ (245.2)	116¾ (295.6)		
38	99¾ (251.8)	119½ (303.6)	96¾ (245.8)	118¾ (301.7)
39	101¾ (258.5)	122¾ (311.5)		
40	104¾ (265.2)	125¾ (319.5)	102 (259.1)	125 (317.5)
41	107 (271.8)	128¾ (327.4)		
42	109¾ (278.5)	132 (335.3)	107¾ (272.8)	131¼ (333.4)
43	112¼ (285.2)	135¾ (343.3)		
44	114¾ (291.8)	138¼ (351.2)	112¾ (286.1)	137½ (349.3)
45	117¾ (298.5)	141¾ (359.1)		
46	120¾ (305.2)	144½ (367.1)	117¾ (299.5)	143¾ (365.2)
47	122¾ (311.8)	147¾ (375.0)		
48	125½ (318.8)	150¾ (383.0)	123¾ (312.8)	150 (381.0)
49	128¾ (325.5)	153¾ (390.9)		
50	130¾ (332.2)	157 (398.8)	128¾ (326.1)	156¼ (396.9)
51	133¾ (338.8)	160¾ (406.8)		
52	136 (345.5)	163¼ (414.7)	133¾ (339.5)	162½ (412.8)
53	138¾ (352.2)	166¾ (422.6)		
54	141¼ (358.8)	169½ (430.6)	139 (353.1)	168¾ (428.7)
55	143¾ (365.5)	172¾ (438.5)		
56	146½ (372.2)	175¾ (446.5)	144¼ (366.4)	175 (444.5)
57	149¾ (378.8)	178¾ (454.4)		
58	151¾ (385.5)	182 (462.3)	149½ (379.8)	181¼ (460.4)
59	154¾ (392.2)	185¾ (470.3)		
60	157 (398.8)	188¼ (478.2)	154¾ (393.1)	187½ (476.3)
61	159¾ (404.9)	191 (485.2)		
62			157¼ (399.5)	191 (485.2)

FBW = Finished Blind Width
CO = Clear Opening
Stack = FBW - CO

General Information

Vertical Blinds: Vane Stacking Chart: One Touch® Control (all headrail styles)

G-71 Super-Vue®		
Number of Vanes	Single Stack	
	CO inches (cm)	FBW inches (cm)
3	6½ (15.6)	9¼ (24.8)
4	8¾ (22.3)	12½ (32.8)
5	11½ (29.3)	16 (40.7)
6	14¼ (35.9)	19¼ (48.9)
7	16¾ (42.6)	22¾ (56.9)
8	19½ (49.6)	25½ (64.8)
9	22¼ (56.2)	25¾ (65.1)
10	24¾ (62.9)	31¼ (80.7)
11	27¾ (69.6)	35 (88.9)
12	30 (76.2)	38¾ (96.9)
13	32¾ (83.2)	41¼ (104.8)
14	35¾ (89.9)	44¾ (112.8)
15	38 (96.6)	47½ (120.7)
16	40¾ (103.2)	50¾ (128.6)
17	43¾ (110.2)	53¾ (136.9)
18	46 (116.9)	57 (144.8)
19	48¾ (123.6)	60¾ (152.8)
20	51¾ (130.5)	63¾ (160.7)
21	54 (137.2)	66¾ (168.6)
22	56¾ (143.9)	69¾ (176.9)
23	59¾ (151.5)	73¾ (185.8)
24	62¼ (158.2)	76¼ (193.7)
25	65 (165.1)	79¾ (201.7)
26	67¾ (171.8)	82½ (209.6)
27	70¼ (178.5)	85¾ (217.9)
28	73 (185.5)	88¾ (225.8)
29	75¾ (192.1)	92 (233.7)
30	78¼ (198.8)	95¾ (241.7)
31	80¾ (205.5)	98¼ (249.6)
32	83½ (212.1)	101¾ (257.5)
33	86¼ (219.1)	104¾ (265.8)
34	88¾ (225.8)	107¾ (273.7)
35	91½ (232.5)	110¾ (281.7)
36	94¼ (239.1)	114 (289.6)
37	96¾ (245.8)	117¾ (297.5)
38	99½ (252.8)	120¾ (305.8)
39	102¾ (259.4)	123½ (313.7)
40	104¾ (266.1)	126¾ (321.7)
41	107½ (273.1)	129¾ (329.6)
42	110¾ (279.8)	132¾ (337.6)
43	112¾ (286.4)	136 (345.5)
44	115¾ (293.1)	139¼ (353.7)
45	118 (299.8)	142¾ (361.7)
46	120¾ (306.8)	145¾ (369.6)
47	123¾ (313.4)	148¾ (377.6)
48	126 (320.1)	151¼ (385.5)
49	128¾ (327.1)	155 (393.7)
50	129¼ (328.3)	156 (396.3)

G-98 Ultra-Vue™		
Number of Vanes	Single Stack	
	CO inches (cm)	FBW inches (cm)
3	6½ (15.6)	10 (25.4)
4	9 (22.9)	13¾ (33.4)
5	11¼ (29.9)	16¼ (41.3)
6	14¼ (36.9)	19¾ (49.3)
7	17¼ (43.9)	22½ (57.2)
8	20¾ (51.2)	25¾ (65.1)
9	22¾ (57.8)	28¾ (72.8)
10	25¾ (65.1)	31¼ (80.7)
11	28¾ (72.1)	34¾ (88.6)
12	31¾ (79.1)	38 (96.6)
13	33¾ (86.1)	41¾ (104.5)
14	36¾ (93.1)	44¼ (112.4)
15	39¾ (100.4)	47¾ (120.4)
16	42¼ (107.4)	50½ (128.3)
17	45 (114.3)	53½ (135.9)
18	47¾ (121.3)	56¾ (143.9)
19	50¾ (128.6)	59¾ (151.8)
20	53¾ (135.6)	62¾ (159.8)
21	56¾ (142.6)	66 (167.7)
22	58¾ (149.6)	69¾ (175.6)
23	62 (157.5)	72¾ (183.2)
24	64¾ (164.5)	75¼ (191.2)
25	67½ (171.5)	78¾ (199.1)
26	70¾ (178.8)	81½ (207.1)
27	73 (185.5)	84¾ (215.0)
28	75¾ (192.8)	87¾ (222.9)
29	78¾ (199.8)	90¾ (230.9)
30	81¾ (206.7)	94 (238.8)
31	84¼ (214.0)	97¾ (246.7)
32	87 (221.0)	100¾ (254.4)
33	89¾ (228.0)	103¼ (262.3)
34	92½ (235.0)	106¾ (270.2)
35	95¾ (242.3)	109½ (278.2)
36	98 (249.0)	112¾ (286.1)
37	100¾ (256.3)	115¾ (294.1)
38	103¾ (263.3)	118¾ (302.0)
39	106¾ (270.2)	122 (309.9)
40	109¾ (277.2)	125 (317.5)
41	111¾ (284.2)	128¾ (325.5)
42	114¼ (291.5)	131¼ (333.4)
43	117¾ (298.5)	134¾ (341.4)
44	120¼ (305.5)	137½ (349.3)
45	123¾ (313.4)	140¾ (357.9)
46	125¾ (319.5)	144 (365.8)
47	128¾ (327.4)	147¾ (373.7)
48	131¼ (334.7)	150¼ (381.7)
49	134¾ (341.4)	153¾ (389.6)
50	136¾ (347.4)	156 (396.3)

G-85 Dura-Vue®		
Number of Vanes	Single Stack	
	CO inches (cm)	FBW inches (cm)
3	6¼ (15.9)	10¾ (25.8)
4	8¾ (22.6)	13¼ (33.7)
5	11½ (29.3)	16¾ (41.6)
6	14¼ (35.9)	19½ (49.6)
7	16¾ (42.6)	22¾ (57.5)
8	19¾ (49.3)	25¾ (65.5)
9	22 (55.9)	28¾ (73.4)
10	24¾ (62.9)	32 (81.3)
11	27¾ (69.6)	35¾ (89.3)
12	30 (76.2)	38¾ (97.2)
13	32¾ (82.9)	41¾ (105.1)
14	35¼ (89.6)	44½ (113.1)
15	37¾ (96.3)	47¾ (121.0)
16	40½ (102.9)	50¾ (129.0)
17	43¾ (109.6)	53¾ (136.9)
18	45¾ (116.3)	57 (144.8)
19	48¾ (122.9)	60¾ (152.8)
20	51 (129.6)	63¾ (160.7)
21	53¾ (136.3)	66¾ (168.6)
22	56¼ (142.9)	69½ (176.6)
23	59¼ (150.5)	72¾ (184.5)
24	61¾ (157.2)	75¾ (192.5)
25	64½ (163.9)	78¾ (200.4)
26	67¾ (170.5)	82 (208.3)
27	69¾ (177.2)	85¾ (216.3)
28	72¾ (183.9)	88¼ (224.2)
29	75 (190.5)	91¾ (232.1)
30	77¾ (197.2)	94½ (240.1)
31	80¼ (203.9)	97¾ (248.0)
32	82¾ (210.6)	100¾ (256.0)
33	85½ (217.2)	103¾ (263.9)
34	88¾ (223.9)	107 (271.8)
35	90¾ (230.6)	110¾ (279.8)
36	93¾ (237.2)	113¼ (287.7)
37	96¾ (244.2)	116¾ (295.6)
38	98¾ (250.9)	119½ (303.6)
39	101¾ (257.5)	122¾ (311.5)
40	104 (264.2)	125¾ (319.5)
41	106¾ (270.9)	128¾ (327.4)
42	109¼ (277.5)	132 (335.3)
43	111¾ (284.2)	135¾ (343.3)
44	114½ (290.9)	138¼ (351.2)
45	117¾ (297.5)	141¾ (359.1)
46	119¾ (304.2)	144½ (367.1)
47	122¾ (310.9)	147¾ (375.0)
48	125 (317.5)	150¾ (383.0)
49	127¾ (324.2)	153¾ (390.9)
50	129¾ (328.7)	156 (396.3)

Split stack One Touch Control not available.
 FBW = Finished Blind Width
 CO = Clear Opening
 Stack = FBW – CO

General Information

Sheer Vertical Blinds: Vane Stacking Chart: Outside Mount

Number of Vanes	Single Stack		Split Stack	
	CO inches (cm)	FBW inches (cm)	CO inches (cm)	FBW inches (cm)
6	14% (37.8)	19% (49.9)	11% (28.3)	17(43.2)
7	17½ (44.5)	22% (57.8)		
8	20% (51.2)	25% (65.8)	16% (41.6)	23¼ (59.1)
9	22% (57.8)	29 (73.7)		
10	25% (64.5)	32% (81.6)	21% (55.3)	29% (75.3)
11	28% (71.5)	35% (89.9)		
12	30% (78.2)	38½ (97.8)	27 (68.6)	35% (91.2)
13	33% (84.8)	41% (105.8)		
14	36% (91.8)	44¼ (113.7)	32% (82.3)	42½ (107.0)
15	38% (98.5)	47% (121.7)		
16	41% (105.1)	51 (129.6)	37% (95.9)	48½ (123.2)
17	44 (111.8)	54¼ (137.8)		
18	46% (118.5)	57% (145.8)	43 (109.3)	54¼ (139.1)
19	49% (125.5)	60½ (153.7)		
20	52 (132.1)	63% (161.7)	48¼ (122.6)	61 (155.0)
21	54% (138.8)	66¼ (169.6)		
22	57% (145.8)	70 (177.8)	53% (136.3)	67% (171.2)
23	60 (152.4)	73% (185.8)		
24	62% (159.1)	76¼ (193.7)	58% (149.6)	73% (187.1)
25	65¼ (165.8)	79% (201.7)		
26	67% (172.5)	82½ (209.6)	64¼ (163.2)	80 (203.2)
27	70% (179.4)	85¼ (217.9)		
28	73¼ (186.1)	88% (225.8)	69½ (176.6)	86¼ (219.1)
29	75% (192.8)	92 (233.7)		
30	78% (199.8)	95% (241.7)	74% (190.2)	92½ (235.0)
31	81¼ (206.4)	98¼ (249.6)		
32	83% (213.1)	101% (257.5)	80¼ (203.9)	98% (251.2)
33	86½ (219.8)	104% (265.8)		
34	89% (226.4)	107% (273.7)	85½ (217.2)	105% (267.1)
35	91% (233.1)	110% (281.7)		
36	94½ (240.1)	114 (289.6)	90% (230.6)	111% (282.9)
37	97% (246.7)	117% (297.5)		
38	99% (253.4)	120% (305.8)	96% (244.2)	117% (299.1)
39	102% (260.1)	123½ (313.7)		
40	105% (267.1)	126% (321.7)	101% (257.5)	124 (315.0)
41	107% (273.7)	129¼ (329.6)		
42	110% (280.4)	132% (337.6)	106% (270.9)	130¼ (330.9)
43	113 (287.1)	136 (345.5)		
44	115% (294.1)	139¼ (353.7)	112 (284.5)	136% (347.1)
45	118% (300.7)	142% (361.7)		
46	121 (307.4)	145½ (369.6)	117% (298.2)	142% (363.0)
47	123% (314.1)	148% (377.6)		
48	126% (321.0)	151¼ (385.5)	122¼ (311.8)	149¼ (379.1)
49	129 (327.7)	155 (393.7)		
50	131% (334.4)	158% (401.7)	128 (325.2)	155½ (395.0)
51	134¼ (341.0)	161¼ (409.6)		
52	137 (348.0)	164% (417.6)	133¼ (338.5)	161 ¾ (410.9)
53	139% (354.7)	167½ (425.5)		
54	142¼ (361.4)	170% (433.4)	138% (352.2)	168% (427.1)
55	144% (368.0)	173% (441.7)		
56	147% (375.0)	177 (449.6)	143% (365.5)	174% (443.0)
57	150% (381.7)	180% (457.6)		
58	152% (388.4)	183¼ (465.5)	149% (378.8)	180% (458.8)
59	155½ (395.0)	186% (473.4)		
60	158¼ (402.0)	189% (481.7)	154½ (392.5)	187 (475.0)
61	159% (404.2)	191 (485.2)		
62			157% (400.4)	191 (485.2)

Sheer Vertical Blinds: Vane Stacking Chart: Inside Mount

Number of Vanes	Single Stack		Split Stack	
	CO inches (cm)	FBW inches (cm)	CO inches (cm)	FBW inches (cm)
7	10% (27.0)	19¼ (48.9)		
8	13¼ (33.7)	22% (56.9)	11% (28.3)	19% (50.2)
9	15% (40.4)	25½ (64.8)		
10	18½ (47.0)	28% (72.8)	16% (41.6)	26 (66.1)
11	21¼ (54.0)	31% (81.0)		
12	24 (61.0)	35 (88.9)	21¼ (55.3)	32% (82.3)
13	26% (67.7)	38% (96.9)		
14	29% (74.3)	41¼ (104.8)	27 (68.6)	38% (98.2)
15	31% (81.0)	44% (112.8)		
16	34% (88.8)	47% (121.0)	32¼ (82.0)	44% (114.0)
17	37¼ (94.7)	50% (129.0)		
18	39% (101.3)	53% (136.9)	37¼ (95.9)	51¼ (130.2)
19	42½ (108.0)	57 (144.8)		
20	45% (114.7)	60% (152.8)	43 (109.3)	57½ (146.1)
21	47¼ (121.3)	63¼ (160.7)		
22	50½ (128.3)	66½ (169.0)	48¼ (122.6)	63¼ (162.0)
23	53% (135.0)	69% (176.9)		
24	55% (142.0)	72% (185.2)	53% (136.3)	70% (178.2)
25	58½ (148.6)	76 (193.1)		
26	61% (155.3)	79% (201.0)	59 (149.9)	76½ (194.4)
27	63% (162.3)	82¼ (209.0)		
28	66% (169.3)	85½ (217.2)	64¼ (163.2)	82¼ (210.2)
29	69¼ (175.9)	88% (225.2)		
30	71% (182.6)	91% (233.1)	69% (176.9)	89% (226.4)
31	74½ (189.3)	94% (241.0)		
32	77% (195.9)	98 (249.0)	74% (190.2)	95% (242.3)
33	80¼ (203.9)	101% (258.2)		
34	82% (210.6)	104% (266.1)	80% (205.2)	102% (259.4)
35	85½ (217.2)	107% (274.1)		
36	88¼ (224.2)	111% (282.3)	86 (218.5)	108% (275.3)
37	90% (230.9)	114¼ (290.2)		
38	93% (237.5)	117% (298.2)	91% (232.1)	114% (291.5)
39	96% (244.2)	120% (306.1)		
40	98¼ (250.9)	123% (314.1)	96% (245.5)	121 (307.4)
41	101½ (257.9)	126% (322.3)		
42	104% (264.5)	130 (330.2)	101½ (257.9)	127¼ (323.3)
43	106% (271.5)	133% (338.2)		
44	109½ (278.2)	136¼ (346.1)	106% (271.5)	133% (339.5)
45	112% (284.8)	139% (354.1)		
46	114¼ (291.5)	142½ (362.0)	112% (284.8)	139% (355.3)
47	117½ (298.5)	145¼ (370.3)		
48	120% (305.2)	148% (378.2)	117½ (298.5)	146¼ (371.5)
49	122¼ (311.8)	152 (386.1)		
50	125% (318.5)	155% (394.1)	122¼ (311.8)	152½ (387.4)
51	128% (325.5)	158% (402.3)		
52	130% (332.2)	161½ (410.3)	128 (325.2)	158% (403.3)
53	133½ (339.1)	164¼ (418.5)		
54	136% (345.8)	167% (426.5)	133% (338.8)	165% (419.4)
55	138% (352.5)	171 (434.4)		
56	141% (359.1)	174% (442.3)	138% (352.2)	171% (435.3)
57	144 (365.8)	177¼ (450.3)		
58	146% (373.1)	180½ (458.5)	144 (365.8)	177% (451.2)
59	149½ (379.8)	183% (466.5)		
60	152% (386.4)	186¼ (474.3)	149% (379.5)	184 (467.4)
61	154% (393.1)	189% (482.3)		
62	155% (394.7)	191 (485.2)	154% (392.8)	190¼ (483.3)
64			154% (392.2)	191 (485.2)

FBW = Finished Blind Width
CO = Clear Opening
Stack = FBW - CO

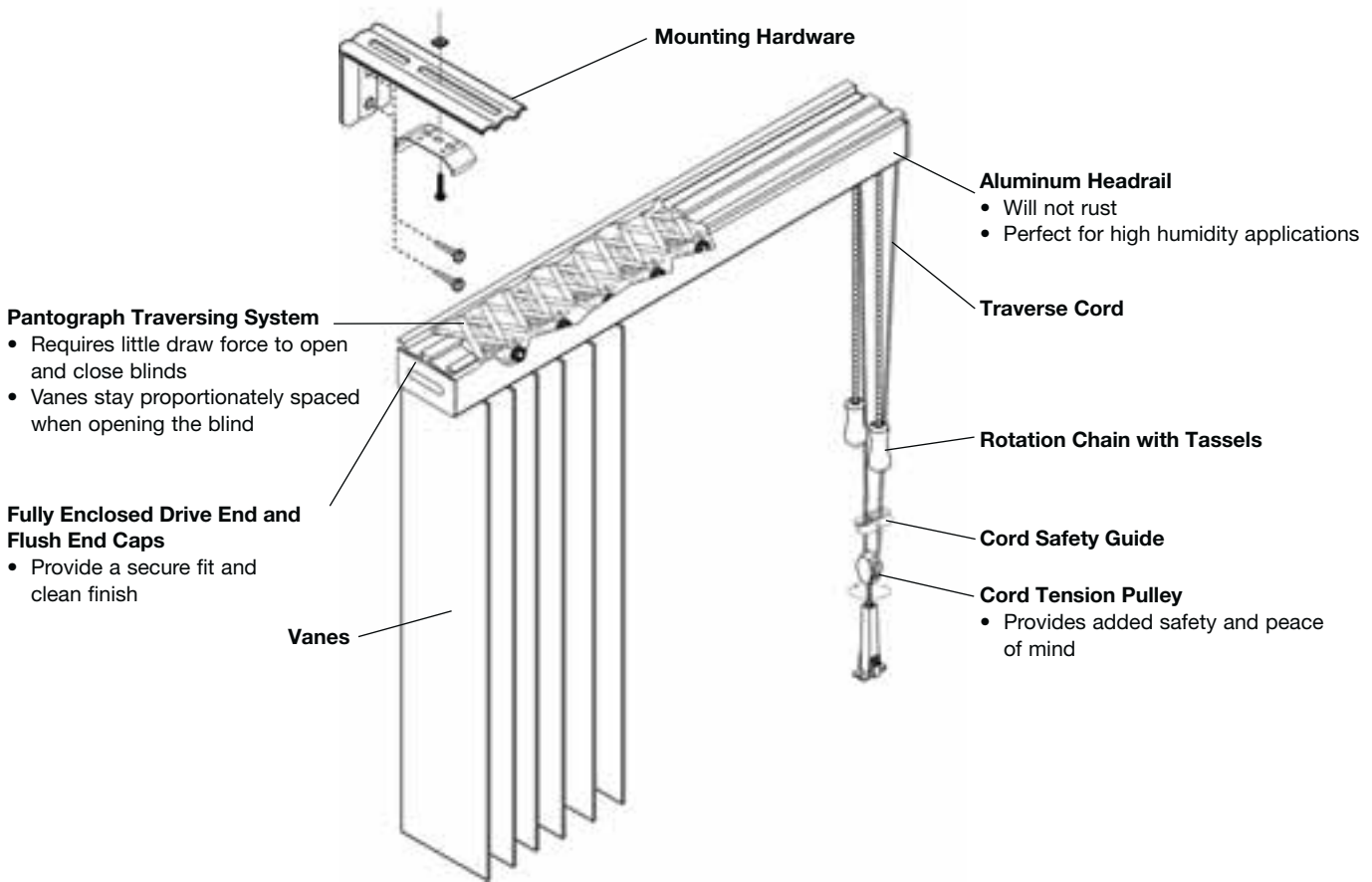
General Information

Sheer Vertical Blinds: Vane Color Coordination Chart

Fabric Name	Color Name	Color Number	Recommended Vane, Bead Chain, and Cord Weight Color
Bengali	Jute	2760	Ivory
Cascade	Champagne	2080	Ivory
Dijon	Downey	2221	White
	Extra White	2220	White
	Stucco	2222	Ivory
Gossamer	Champagne	1720	Ivory
	Parchment	1722	Ivory
	Snowstone	1724	White
	White	1725	White
Highlight	Champagne	1740	Ivory
	Snowstone	1741	White
	White	1742	White

General Information

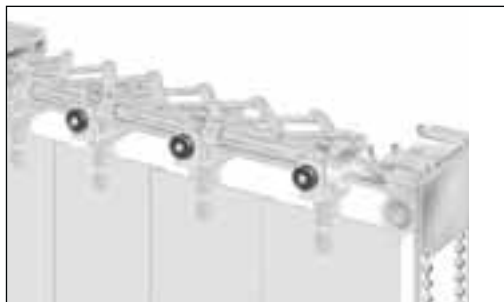
G-71 Super-Vue® Product Detail



Exterior View



Interior View



Features	Benefits
Heavy-Duty Anodized Aluminum Headrail	Will not rust; ideal for high-humidity applications
Rack and Pinion Gear System	Allows vanes to rotate smoothly and easily
Centrally Located Carrier Stems	Reversible headrail
Pantograph System	Requires very little draw force to open and close blinds; vanes stay proportionately spaced when opening the blind
One Touch® Control	Safety and convenience
Removable Stems	Ability to repair instead of remaking—less invasive for the customer
E-Z Open™	Automatically rotates the vanes when the cord is pulled to traverse the blind; not available with cord tension pulley, One Touch, and center, opposite, or uneven stack
Clear Nylon Vane Stems	Nearly invisible, yet extremely strong

NOTE: Wand control is standard. See control options section for details.

General Information

G-98 Ultra-Vue™ Product Detail

Thin Profile Carrier System

- Narrow carrier width provides reduced vane stack
- Self-aligning carriers for trouble-free operation

Color Coordinated End Caps

- Provide a clean, finished look

Vane Weights

- Available on fabric vanes only
- Allow fabric to hang straight

Aluminum Headrail

- Will not rust
- Perfect for high-humidity applications

Traverse Cord

Rotation Chain with Tassels

Cord Safety Guide

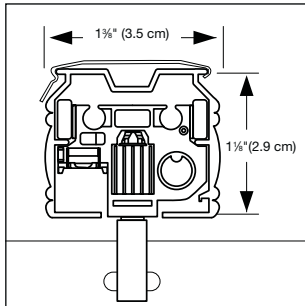
Cord Tension Pulley

- Provides added safety and peace of mind

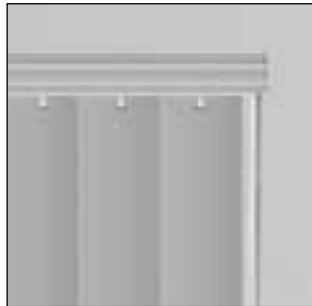
Bottom Clip and Chain (optional for fabric vanes)

- Stabilizes vanes in a moving air environment (i.e. screen door, heat register)

Inside Headrail View



Exterior View



Interior View



Features	Benefits
Heavy-Duty Anodized Aluminum Headrail	Will not rust; ideal for high-humidity applications
Thin Profile Carriers	Reduced stack
Self-Aligning Carriers	Trouble-free operation
Fully Enclosed Drive and Flush End Caps	Provides a secure fit and clean finished appearance
Low-Friction Wheeled Carriers	Vanes traverse smoothly
One Touch® Control	Safety and convenience
Centrally Located Carrier Stems and Symmetrical Cord and Chain Control	Headrail reversible for right or left control installation
Clear Nylon Vane Stems	Nearly invisible, yet extremely strong
Removable Stems	Ability to repair instead of remaking; less invasive for customer

NOTE: Wand control is standard. See control options section for details.

General Information

G-85 Dura-Vue® Product Detail

Thermolastic Carrier Linkage System

- Provides smooth traversing of vanes

Color Coordinated End Caps

- Provide a clean, finished look

Vane Weights

- Available on fabric vanes only
- Allow fabric to hang straight

Steel Headrail

Traverse Cord

Rotation Chain with Tassels

Cord Safety Guide

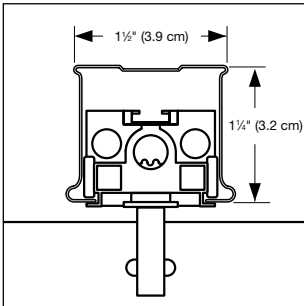
Cord Tension Pulley

- Provides added safety and peace of mind

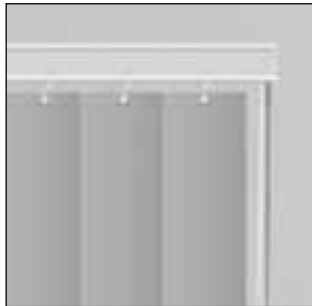
Bottom Clip and Chain (optional for fabric vanes)

- Stabilizes vanes in a moving air environment (i.e. screen door, heat register)

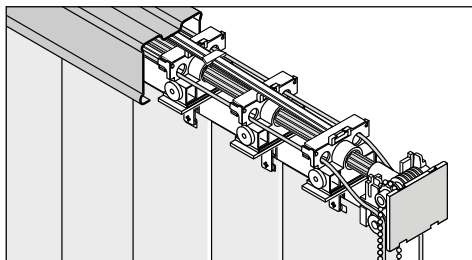
Inside Headrail View



Exterior View



Interior View

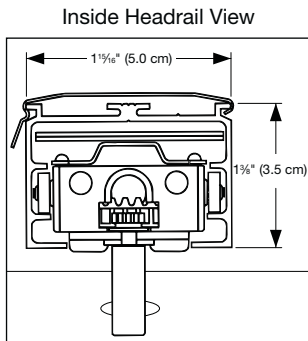
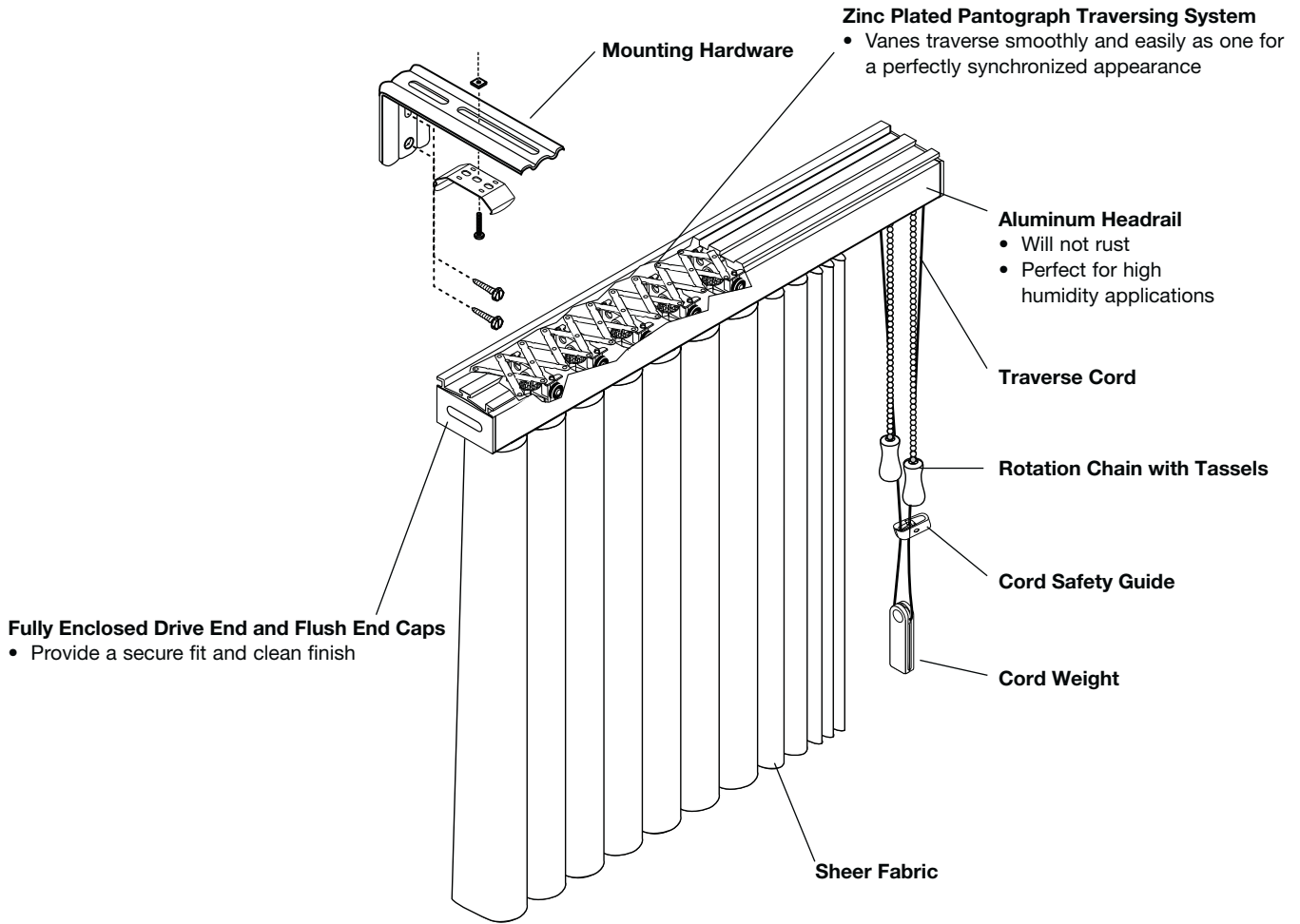


Features	Benefits
Steel Headrail with Ivory Finish	Provides strength and durability
Wheeled Carriers	Vanes traverse smoothly and easily
Centrally Located Carrier Stems	Headrail is reversible for right or left control position
Clear Nylon Vane Stems	Nearly invisible, yet extremely strong
Optional Stack and Control Positions	Single stack, split stack, opposite stack are available
One Touch® Control (standard)	Safety and convenience
Removable Stems	Ability to repair instead of remaking; less invasive for customer

NOTE: Wand control is standard. See control options section for details.

General Information

Sheer Vertical Blinds: G-71 Super-Vue® Product Detail



Features	Benefits
Easy Install Fabric	Install fabric after headrail installation; to clean, no need to take down entire blind
Skirt Only Option	Change fabric style or color when changing room décor
Washable Fabric	Remove fabric from blind to machine wash
Color Coordinated Thread	For finished appearance

NOTE: EZ Open™ feature is not available on sheer vertical blinds.

Price Charts

Vinyl Crown: Crown*
 Vinyl Embossed: Grotto

Price Group A: G-71 Super-Vue® and G-98 Ultra-Vue™

Height up to inches (cm) ↓	Width up to inches (cm) →																Replmt Vanes	
	25 (63.5)	38 (96.6)	50 (127.0)	63 (160.1)	75 (190.5)	85 (215.9)	88 (223.6)	100 (254.0)	113 (287.1)	120 (304.8)	132 (335.3)	144 (365.8)	154 (391.2)	164 (416.6)	174 (442.0)	184 (467.4)		191 (485.2)
48 (122.0)	\$156	192	232	265	305	333	343	389	422	441	486	519	555	591	627	662	699	4
60 (152.4)	166	200	246	280	320	352	362	411	446	468	514	550	586	623	660	698	734	5
72 (182.9)	171	213	262	296	338	366	381	434	473	490	545	582	622	662	703	743	785	6
84 (213.4)	183	226	277	310	355	385	399	455	495	517	572	610	654	697	738	782	825	6
96 (243.9)	189	233	289	328	373	410	419	476	517	545	601	641	686	730	774	817	861	8
108 (274.4)	195	244	303	343	393	427	440	499	544	569	627	672	716	762	808	852	899	8
120 (304.8)	207	258	317	362	414	452	465	529	569	592	658	701	751	800	851	902	950	10
132 (335.3)	214	273	336	381	435	474	489	554	597	626	694	739	794	847	902	956	1008	11
144 (365.8)	219	289	352	399	458	498	516	582	627	658	734	778	834	890	946	1003	1058	12
156 (396.3)	225	304	367	418	478	522	542	609	658	691	771	817	877	937	997	1056	1116	14
168 (426.8)	228	320	385	439	503	546	569	637	688	721	809	855	919	981	1045	1109	1172	16
180 (457.2)	232	336	402	455	523	571	590	666	718	754	846	895	962	1028	1095	1163	1229	17
192 (487.7)	239	351	419	474	546	592	616	691	750	788	883	937	1008	1080	1151	1223	1294	18

Add Surcharge to Blind Price

Square-Corner Valance	\$21	33	36	42	46	49	51	57	61	65	71	75	80	85	89	93	98
Round-Corner Valance	23	36	41	49	52	56	57	65	70	74	84	89	94	100	105	110	
Double Round-Corner Valance	46	72	82	98	104	112	114	130	140	148	168	178	188	200	210	220	

Price Group A: G-85 Dura-Vue®

Height up to inches (cm) ↓	Width up to inches (cm) →																Replmt Vanes
	25 (63.5)	38 (96.6)	50 (127.0)	63 (160.1)	75 (190.5)	85 (215.9)	88 (223.6)	100 (254.0)	113 (287.1)	120 (304.8)	132 (335.3)	144 (365.8)	154 (391.2)	164 (416.6)	174 (442.0)	178¾ (454.1)	
48 (122.0)	\$132	160	186	210	235	253	257	294	317	328	363	384	410	437	462	489	4
60 (152.4)	141	174	200	221	250	270	275	314	343	350	391	414	444	472	503	532	5
72 (182.9)	152	183	216	236	266	289	294	336	364	376	418	445	474	506	537	566	6
84 (213.4)	158	191	228	252	285	305	310	356	387	401	445	472	505	537	568	600	6
96 (243.9)	164	203	239	267	300	326	332	376	408	425	467	500	534	568	602	636	8
108 (274.4)	174	215	253	283	317	344	348	400	430	450	498	526	562	599	635	671	8
120 (304.8)	184	226	270	300	339	367	371	425	455	473	525	557	595	634	672	711	10
132 (335.3)	188	239	288	319	360	392	396	451	487	506	561	597	639	680	722	764	11
144 (365.8)	192	254	302	336	380	414	420	475	518	538	600	636	680	725	770	813	12

Add Surcharge to Blind Price

Square-Corner Valance	\$21	33	36	42	46	49	51	57	61	65	71	75	80	85	89	93
Round-Corner Valance	23	36	41	49	52	56	57	65	70	74	84	89	94	100	105	110
Double Round-Corner Valance	46	72	82	98	104	112	114	130	140	148	168	178	188	200	210	220

One Touch® Control outlined in the chart above. Maximum overall blind size is 10,080 square inches (6.5 m²) (width x height). Available at no charge.

Colors

Vinyl	
Crown*	Grotto
Alabaster 9307	Misty Gray 9312
Candelabra 9300	Tan 9308
Carob 9317	White 9306
Ivory 9307	Stormcloud 6584
	White 6585
	Alabaster 6587
	Ivory 6586

*Available in coordinating 2" (5.1 cm) horizontal vinyl blinds.

Price Charts

Vinyl: Cachet*, Channel Panel, Fiber*, Quantum*, Stowe, Window Weaves

Price Group B: G-71 Super-Vue® and G-98 Ultra-Vue™

Height up to inches (cm) ↓	Width up to inches (cm) →																Replmt Vanes	
	25 (63.5)	38 (96.6)	50 (127.0)	63 (160.1)	75 (190.5)	85 (215.9)	88 (223.6)	100 (254.0)	113 (287.1)	120 (304.8)	132 (335.3)	144 (365.8)	154 (391.2)	164 (416.6)	174 (442.0)	184 (467.4)		191 (485.2)
48 (122.0)	\$186	230	279	320	366	401	414	471	510	536	586	626	670	712	753	797	839	5
60 (152.4)	199	244	300	338	385	423	435	495	542	564	620	666	707	751	796	839	883	5
72 (182.9)	207	256	316	357	406	446	460	521	569	592	658	701	746	794	839	886	931	6
84 (213.4)	220	269	332	375	429	468	479	550	594	623	687	738	790	837	888	937	985	8
96 (243.9)	228	281	349	393	449	489	505	575	623	656	721	775	826	877	930	981	1035	8
108 (274.4)	235	296	363	414	473	513	530	602	655	684	754	808	859	914	966	1021	1073	12
120 (304.8)	249	314	383	435	498	546	559	636	684	716	792	845	904	961	1020	1076	1135	13
132 (335.3)	256	332	406	462	522	574	586	673	721	754	839	893	952	1015	1074	1135	1194	14
144 (365.8)	259	347	429	485	550	601	615	704	762	797	884	944	1008	1072	1136	1198	1264	16
156 (396.3)	265	363	452	510	575	626	644	738	801	839	930	991	1058	1126	1191	1258	1323	17
168 (426.8)	270	381	473	536	601	655	675	773	840	880	976	1042	1112	1180	1252	1320	1391	18
180 (457.2)	276	398	495	559	625	682	703	808	880	920	1023	1091	1164	1235	1308	1380	1451	19
192 (487.7)	279	415	516	582	653	709	732	840	919	960	1066	1141	1214	1290	1367	1441	1517	20

Add Surcharge to Blind Price

Square-Corner Valance	\$23	38	41	52	57	58	60	68	75	78	88	94	100	105	110	116	121
Round-Corner Valance	27	41	50	59	64	66	68	78	87	91	100	109	116	122	128	135	
Double Round-Corner Valance	54	82	100	118	128	132	136	156	174	182	200	218	232	244	256	270	

Price Group B: G-85 Dura-Vue®

Height up to inches (cm) ↓	Width up to inches (cm) →																Replmt Vanes
	25 (63.5)	38 (96.6)	50 (127.0)	63 (160.1)	75 (190.5)	85 (215.9)	88 (223.6)	100 (254.0)	113 (287.1)	120 (304.8)	132 (335.3)	144 (365.8)	154 (391.2)	164 (416.6)	174 (442.0)	178¼ (454.1)	
48 (122.0)	\$163	198	235	264	301	327	332	379	411	425	466	498	534	568	602	639	5
60 (152.4)	177	215	253	278	319	346	350	403	439	454	499	532	568	605	644	679	5
72 (182.9)	186	227	270	301	338	365	374	427	464	482	533	568	607	648	685	725	6
84 (213.4)	194	236	288	317	357	387	395	454	489	514	566	602	646	685	727	770	8
96 (243.9)	204	252	302	336	379	412	419	479	519	542	597	639	680	722	767	809	8
108 (274.4)	214	263	316	352	401	434	445	505	545	572	629	671	718	767	813	862	12
120 (304.8)	224	278	338	374	426	461	467	538	575	597	666	707	757	805	853	901	13
132 (335.3)	230	296	359	397	450	488	494	568	611	639	708	754	804	855	904	955	14
144 (365.8)	235	312	379	420	473	515	524	602	650	676	753	801	855	906	960	1012	16

Add Surcharge to Blind Price

Square-Corner Valance	\$23	38	41	52	57	58	60	68	75	78	88	94	100	105	110	116
Round-Corner Valance	27	41	50	59	64	66	68	78	87	91	100	109	116	122	128	135
Double Round-Corner Valance	54	82	100	118	128	132	136	156	174	182	200	218	232	244	256	270

One Touch® Control outlined in the chart above. Maximum overall blind size is 10,080 square inches (6.5 m²) (w x h). Available at no charge.

Colors

Cachet*		Fiber*		Quantum*		Window Weaves	
Ivory	6657	Bloodroot	3977	Chevre	6874	Deep Walnut	3892
Satin White	6651	Buttercream	3972	Cream	6879	Heath	3895
Shimmer Sage	6660	Cinnamon	3976	Model	6881	Melting Snow	3890
Silver Dollar	6655	Midnight	3974	Shipwreck	6875	Millet	3897
Tan	6654	Pebble	3092	Stowe		Pilaf	3896
White	6650	Sandstone	3970	Bone	9014	Rice Paper	3893
Channel Panel		Shale	3090	Cocoa	9011		
Ivory	7137	White	3973	Embankment	9022		
White	7136			Resort	9021		
				Willow	9015		
				Yew	9020		

*Available in coordinating 2" (5.1 cm) horizontal vinyl blinds.

Price Charts

Fabric: Baskerville, Brighton®, Harmony®, Sheffield®
 Vinyl: Homespun II*, Lake Forest®A, Rapture*, Satin Stripe
 Vinyl S-Shaped: Linen S*, Quantum S

Price Group C: G-71 Super-Vue® and G-98 Ultra-Vue™

Height up to inches (cm) ↓	Width up to inches (cm) →																Replmt Vanes	
	25 (63.5)	38 (96.6)	50 (127.0)	63 (160.1)	75 (190.5)	85 (215.9)	88 (223.6)	100 (254.0)	113 (287.1)	120 (304.8)	132 (335.3)	144 (365.8)	154 (391.2)	164 (416.6)	174 (442.0)	184 (467.4)		191 (485.2)
48 (122.0)	\$208	266	323	354	409	447	461	522	568	593	653	698	746	796	846	895	944	10
60 (152.4)	220	271	334	375	430	471	486	551	600	629	689	738	790	842	893	946	997	12
72 (182.9)	229	288	349	397	450	495	513	579	632	660	731	779	831	885	939	993	1045	12
84 (213.4)	243	299	370	417	475	519	535	611	661	694	766	820	876	934	991	1048	1106	13
96 (243.9)	251	310	389	440	503	545	564	639	694	731	803	859	920	980	1039	1098	1159	13
108 (274.4)	265	328	406	461	524	572	591	674	725	762	840	899	959	1021	1081	1141	1204	15
120 (304.8)	278	348	429	486	556	605	622	706	762	795	881	942	1006	1073	1136	1203	1266	15
132 (335.3)	285	370	452	513	587	639	656	743	803	840	932	994	1063	1132	1202	1269	1338	16
144 (365.8)	292	391	475	536	618	670	689	779	846	886	982	1048	1119	1192	1263	1334	1404	17
156 (396.3)	299	410	503	565	647	702	725	815	888	932	1033	1101	1175	1250	1325	1397	1471	19
168 (426.8)	305	434	524	591	681	735	759	852	928	978	1083	1153	1229	1306	1384	1459	1537	20
180 (457.2)	309	455	550	616	709	768	793	932	972	1022	1133	1208	1287	1367	1445	1525	1604	21
192 (487.7)	319	474	572	642	740	798	826	967	1014	1067	1182	1262	1343	1425	1508	1588	1670	22

Add Surcharge to Blind Price

Square-Corner Valance	\$27	40	45	52	56	61	63	69	77	82	90	96	103	109	116	122	129
Round-Corner Valance	30	45	51	61	65	68	70	82	90	93	104	109	118	126	136	144	153
Double Round-Corner Valance	60	90	102	122	130	136	140	164	180	186	208	218	236	252	272	288	306

Price Group C: G-85 Dura-Vue®

Height up to inches (cm) ↓	Width up to inches (cm) →																Replmt Vanes
	25 (63.5)	38 (96.6)	50 (127.0)	63 (160.1)	75 (190.5)	85 (215.9)	88 (223.6)	100 (254.0)	113 (287.1)	120 (304.8)	132 (335.3)	144 (365.8)	154 (391.2)	164 (416.6)	174 (442.0)	178¼ (454.1)	
48 (122.0)	\$182	222	264	293	337	365	372	424	458	479	525	561	601	642	679	719	10
60 (152.4)	198	238	285	317	357	387	396	450	492	508	561	600	643	683	725	769	12
72 (182.9)	206	254	301	333	378	410	419	480	521	542	600	635	679	724	770	814	12
84 (213.4)	215	265	320	357	400	436	444	507	549	572	632	673	721	770	816	864	13
96 (243.9)	228	281	337	375	424	458	467	538	577	606	669	713	762	813	863	912	13
108 (274.4)	249	292	356	396	447	487	495	565	610	639	706	753	806	858	908	960	15
120 (304.8)	253	313	375	419	476	515	525	602	646	669	743	789	845	902	957	1013	15
132 (335.3)	258	333	398	446	505	546	558	632	685	713	789	842	900	958	1016	1074	16
144 (365.8)	264	356	421	469	536	576	591	668	726	758	838	893	952	1013	1073	1134	17

Add Surcharge to Blind Price

Square-Corner Valance	\$27	40	45	52	56	61	63	69	77	82	90	96	103	109	116	122
Round-Corner Valance	30	45	51	61	65	68	70	82	90	93	104	109	118	126	136	144
Double Round-Corner Valance	60	90	102	122	130	136	140	164	180	186	208	218	236	252	272	288

One Touch® Control outlined in the chart above. Maximum overall blind size is 10,080 square inches (6.5 m²) (w x h). Available at no charge.

Price Group C: Stay Clear™ Channel Panel Surcharges

Width up to inches (cm) →	25 (63.5)	38 (96.6)	50 (127.0)	63 (160.1)	75 (190.5)	85 (215.9)	88 (223.6)	100 (254.0)	113 (287.1)	120 (304.8)	132 (335.3)	144 (365.8)	154 (391.2)	164 (416.6)	174 (442.0)	184 (467.4)	191 (485.2)	Replmt Vanes
Channel Panel	\$41	67	117	150	167	191	219	233	255	272	305	325	347	368	389	411	433	6

Colors

Vinyl		S-Shaped		Fabric	
Homespun II*	Rapture*	Linen S*	Baskerville	Harmony®	Sheffield®
Beach 9113	Bleach 3612	Cafe 6263	Caffeine 0393	Cityscape 0232	
Butterscotch 9112	Heather 3610	Cream 6261	Gouda 0392	Glacial 0233	
Chocolate 9114	Steel 3614	Ebony 6265	Havarti 0390	Pebble 0230	
Ivory 9111	Satin Stripe	Granite 6267	Provolone 0391	Tassel 0231	
Lake Forest^A	Imperial 9489	Lakebed 6266	Brighton®	Sheffield®	
Cognac 3771	Ivory 9480	Lichen 6262	Bark 4205	Chelsea 0201	
Golden Oak 3772	Sand 9481	Snow 6260	Bone 4222	Eclipse 0205	
Natural 3773	Silversmith 9488	Quantum S	Graham Cracker 4203	Henley 0202	
Wheat 3770	Snow 9485	Chevre 3396	Platinum 4250	Meadow 0207	
		Cream 3391	Sugar Maple 4202	Tuscon 0204	
		Model 3395	Toast 4282	Weathered 0206	
		Shipwreck 3397	Tundra 4201	Windsor 0203	
			White 4219		

*Available in coordinating 2" (5.1 cm) horizontal vinyl blinds.
^AAvailable in coordinating Lake Forest® Faux Wood blinds.
 *Some selections are available in coordinating LightWeaves® Roller, FashionPleat® and EvenPleat® Shades.

Price Charts

Fabric: Devon, Grasses, Tahiti Weave, Thatch

Vinyl: Chenille, Parallels, Safari*

Vinyl S-Shaped: Homespun II S

Price Group D: G-71 Super-Vue® and G-98 Ultra-Vue™

Height up to inches (cm) ↓	Width up to inches (cm) →																Replmt Vanes	
	25 (63.5)	38 (96.6)	50 (127.0)	63 (160.1)	75 (190.5)	85 (215.9)	88 (223.6)	100 (254.0)	113 (287.1)	120 (304.8)	132 (335.3)	144 (365.8)	154 (391.2)	164 (416.6)	174 (442.0)	184 (467.4)		191 (485.2)
48 (122.0)	\$244	302	369	423	486	532	546	621	676	705	777	829	887	945	1003	1060	1117	12
60 (152.4)	259	325	395	446	510	561	579	656	712	744	823	876	939	999	1061	1121	1184	14
72 (182.9)	276	339	417	473	534	587	606	691	752	783	870	928	993	1058	1121	1189	1254	14
84 (213.4)	287	355	440	499	566	615	637	725	790	824	912	976	1041	1110	1177	1244	1312	14
96 (243.9)	302	373	460	522	597	648	670	761	827	865	957	1023	1094	1161	1232	1303	1374	17
108 (274.4)	312	392	483	546	624	683	700	798	863	906	1000	1069	1145	1220	1294	1367	1442	17
120 (304.8)	332	412	509	579	660	723	738	842	906	946	1048	1117	1195	1272	1349	1428	1505	18
132 (335.3)	339	442	545	615	699	764	781	888	961	1006	1116	1194	1277	1358	1440	1523	1605	19
144 (365.8)	349	472	579	649	738	806	823	934	1019	1066	1187	1268	1355	1441	1528	1618	1703	20
156 (396.3)	356	502	613	686	777	847	866	982	1074	1127	1256	1343	1435	1526	1620	1712	1802	21
168 (426.8)	365	529	647	723	815	888	908	1029	1131	1184	1324	1418	1513	1610	1708	1803	1901	22
180 (457.2)	372	560	683	759	853	930	950	1075	1189	1244	1393	1492	1593	1695	1797	1898	2001	23
192 (487.7)	381	587	717	795	890	970	994	1121	1244	1305	1462	1565	1673	1780	1886	1992	2099	24

Add Surcharge to Blind Price

Square-Corner Valance	\$29	43	52	59	63	67	68	78	89	91	101	109	117	124	131	140	147	
Round-Corner Valance	34	52	59	67	72	77	84	93	100	104	117	124	133	142	151	159	167	
Double Round-Corner Valance	68	104	118	134	144	154	168	186	200	208	234	248	266	284	302	318	334	

Price Group D: G-85 Dura-Vue®

Height up to inches (cm) ↓	Width up to inches (cm) →																Replmt Vanes
	25 (63.5)	38 (96.6)	50 (127.0)	63 (160.1)	75 (190.5)	85 (215.9)	88 (223.6)	100 (254.0)	113 (287.1)	120 (304.8)	132 (335.3)	144 (365.8)	154 (391.2)	164 (416.6)	174 (442.0)	178% (454.1)	
48 (122.0)	\$218	269	322	365	418	453	462	527	571	597	654	699	750	797	847	896	12
60 (152.4)	234	291	345	383	439	481	492	561	607	632	699	745	796	848	900	952	14
72 (182.9)	246	305	367	409	462	506	520	591	644	668	743	791	846	901	956	1010	14
84 (213.4)	259	317	385	434	492	536	546	626	678	706	780	835	894	953	1010	1069	14
96 (243.9)	272	335	408	457	518	563	574	659	715	747	821	879	939	1001	1062	1121	17
108 (274.4)	282	350	426	481	545	596	606	692	749	780	868	923	988	1052	1116	1181	17
120 (304.8)	299	372	453	509	576	631	643	732	787	819	912	969	1035	1104	1172	1238	18
132 (335.3)	306	399	486	543	614	670	681	775	842	877	976	1038	1111	1183	1256	1328	19
144 (365.8)	314	426	518	574	650	709	721	819	894	932	1039	1107	1184	1261	1337	1416	20

Add Surcharge to Blind Price

Square-Corner Valance	\$29	43	52	59	63	67	68	78	89	91	101	109	117	124	131	140	
Round-Corner Valance	34	52	59	67	72	77	84	93	100	104	117	124	133	142	151	159	
Double Round-Corner Valance	68	104	118	134	144	154	168	186	200	208	234	248	266	284	302	318	

One Touch® Control outlined in the chart above. Maximum overall blind size is 10,080 square inches (6.5 m²) (w x h). Available at no charge.

Price Group D: Stay Clear™ Channel Panel Surcharges

Width up to inches (cm) →	25 (63.5)	38 (96.6)	50 (127.0)	63 (160.1)	75 (190.5)	85 (215.9)	88 (223.6)	100 (254.0)	113 (287.1)	120 (304.8)	132 (335.3)	144 (365.8)	154 (391.2)	164 (416.6)	174 (442.0)	184 (467.4)	191 (485.2)	Replmt Vanes
Channel Panel	\$41	67	117	150	167	191	219	233	255	272	305	325	347	368	389	411	433	6

Colors

Vinyl		S-Shaped Homespun II S			Fabric		
Chenille	Safari*				Devon	Tahiti Weave	
Aluminum	6801	Beach	9683	Abbot.	0032	Autumn	0455
Chantarelle	6802	Butterscotch	9682	Newton	0033	Basket Weave	0453
Cream	6791	Chocolate	9684	Plymouth	0030	Bourbon.	0451
Filigree	6799	Ivory.	9681	Torbay	0031	Hudson	0450
Off White	6790					Tortoise Shell.	0454
Syrax	6800						
Parallels				Grasses			
Amaretto	6952			Chestnut	1713		
Mesa	6950			Hardwood	1712		
Spice	6951			Maple.	1710		
Waterloo	6953			Twig.	1711		
						Thatch	
						Coffee	1565
						Natural.	1560
						Toffee	1563

*Available in coordinating 2" (5.1 cm) horizontal vinyl blinds.

Price Charts

Fabric: Allure®, Royale®, Strings, Tuvalu®, Urban Loft

Vinyl: Acropolis, Coronation*, Kensington*

Vinyl S-Shaped: Georgetown S*

Price Group E: G-71 Super-Vue® and G-98 Ultra-Vue™

Height up to inches (cm) ↓	Width up to inches (cm) →																Replmt Vanes	
	25 (63.5)	38 (96.6)	50 (127.0)	63 (160.1)	75 (190.5)	85 (215.9)	88 (223.6)	100 (254.0)	113 (287.1)	120 (304.8)	132 (335.3)	144 (365.8)	154 (391.2)	164 (416.6)	174 (442.0)	184 (467.4)		191 (485.2)
48 (122.0)	\$271	334	409	469	537	590	603	686	748	781	859	918	982	1045	1111	1174	1236	14
60 (152.4)	286	360	437	493	565	621	640	725	789	823	911	970	1039	1106	1175	1242	1311	16
72 (182.9)	304	375	461	524	592	649	672	764	831	867	963	1027	1099	1171	1242	1316	1387	20
84 (213.4)	319	394	487	552	627	681	704	803	873	912	1008	1080	1152	1227	1303	1377	1452	20
96 (243.9)	334	414	509	578	660	718	742	843	915	958	1057	1132	1209	1286	1364	1441	1518	25
108 (274.4)	346	432	534	603	689	755	774	884	956	1002	1109	1183	1266	1348	1433	1514	1599	28
120 (304.8)	366	456	564	640	732	800	816	931	1002	1046	1160	1236	1323	1409	1495	1580	1666	29
132 (335.3)	375	489	602	681	773	847	865	983	1063	1114	1235	1321	1412	1504	1594	1685	1777	30
144 (365.8)	386	522	640	719	816	891	911	1035	1127	1179	1312	1403	1499	1595	1693	1790	1886	31
156 (396.3)	395	554	679	760	859	938	959	1086	1189	1248	1391	1487	1588	1688	1792	1894	1997	32
168 (426.8)	404	585	717	800	903	983	1005	1140	1252	1311	1466	1568	1676	1782	1891	1998	2103	33
180 (457.2)	413	620	755	840	944	1029	1053	1190	1316	1377	1543	1650	1762	1875	1988	2100	2214	34
192 (487.7)	421	649	794	880	987	1075	1100	1242	1377	1443	1619	1733	1852	1970	2088	2206	2324	35

Add Surcharge to Blind Price

Square-Corner Valance	\$32	49	58	67	70	76	81	87	98	102	114	120	129	138	146	155	164	
Round-Corner Valance	36	56	67	76	81	87	90	102	113	116	131	140	149	159	170	179	189	
Double Round-Corner Valance	72	112	134	152	162	174	180	204	226	232	262	280	298	318	340	358	378	

Price Group E: G-85 Dura-Vue®

Height up to inches (cm) ↓	Width up to inches (cm) →																Replmt Vanes
	25 (63.5)	38 (96.6)	50 (127.0)	63 (160.1)	75 (190.5)	85 (215.9)	88 (223.6)	100 (254.0)	113 (287.1)	120 (304.8)	132 (335.3)	144 (365.8)	154 (391.2)	164 (416.6)	174 (442.0)	178% (454.1)	
48 (122.0)	\$240	296	354	401	458	499	508	579	627	656	719	768	823	877	931	984	14
60 (152.4)	257	320	379	421	482	529	542	616	667	696	768	817	876	932	989	1046	16
72 (182.9)	270	335	403	449	508	556	571	649	706	734	816	869	929	990	1050	1111	20
84 (213.4)	286	347	424	476	542	589	600	687	746	776	859	919	981	1047	1111	1175	20
96 (243.9)	300	367	448	503	569	619	631	723	786	821	902	967	1033	1100	1167	1232	25
108 (274.4)	309	386	467	529	599	655	666	760	822	859	954	1014	1086	1157	1226	1298	28
120 (304.8)	327	409	499	559	634	695	705	805	866	901	1002	1064	1138	1213	1287	1362	29
132 (335.3)	336	438	534	597	674	736	750	852	924	963	1071	1141	1221	1301	1380	1459	30
144 (365.8)	345	467	569	631	714	779	793	901	981	1025	1142	1217	1302	1386	1471	1554	31

Add Surcharge to Blind Price

Square-Corner Valance	\$32	49	58	67	70	76	81	87	98	102	114	120	129	138	146	155	
Round-Corner Valance	36	56	67	76	81	87	90	102	113	116	131	140	149	159	170	179	
Double Round-Corner Valance	72	112	134	152	162	174	180	204	226	232	262	280	298	318	340	358	

One Touch® Control outlined in the chart above. Maximum overall blind size is 10,080 square inches (6.5 m²) (w x h). Available at no charge.

Price Group E: Stay Clear™ Channel Panel Surcharges

Width up to inches (cm) →																	Replmt Vanes	
	25 (63.5)	38 (96.6)	50 (127.0)	63 (160.1)	75 (190.5)	85 (215.9)	88 (223.6)	100 (254.0)	113 (287.1)	120 (304.8)	132 (335.3)	144 (365.8)	154 (391.2)	164 (416.6)	174 (442.0)	184 (467.4)		191 (485.2)
Channel Panel	\$41	67	117	150	167	191	219	233	255	272	305	325	347	368	389	411	433	6

Colors

Vinyl		S-Shaped Georgetown S*		Fabric	
Acropolis	Kensington*	Georgetown S*		Allure®	Strings
Laurel Wreath 3134	Bellhop 3255	Capitol Hill 6698		Fog 0511	Delicate 4750
Olive Oil 3132	Fresh Linens 3250	Flax 6697		Glimmer 0512	Parfait 4751
Olympus 3130	Passport 3252	National Mall 6699		Latte 0513	Urban Mist 4753
Parthenon 3133	Room Key 3253	Smithsonian 6700		Still Water 0514	Winsome 4752
Poseidon 3131	Titanium 3254	Tawny 6693		Titanium 0510	
Coronation*		White 6691		Royale®	Tuvalu®
Decree 3751				Granite 0431	Cream Caramel 0440
Princess 3750				Ivory 0430	Cream Silk 0441
Proclamation 3752				Rapture 0434	French Silk 0442
Royal Coach 3753				Saddle 0433	Urban Loft
Sceptre 3754				Storm 0432	Ductwork 0380
					Exposed Brick 0382
					Rooftop 0383
					Skyline 0381

*Available in coordinating 2" (5.1 cm) horizontal vinyl blinds.

*Some selections are available in coordinating LightWeaves® Roller, FashionPleat®, and EvenPleat® Shades.

Price Charts

Fabric: Compass, Crossweave®, Network, Prescott

Price Group F: G-71 Super-Vue® and G-98 Ultra-Vue™

Height up to inches (cm) ↓	Width up to inches (cm) →																Replmt Vanes	
	25 (63.5)	38 (96.6)	50 (127.0)	63 (160.1)	75 (190.5)	85 (215.9)	88 (223.6)	100 (254.0)	113 (287.1)	120 (304.8)	132 (335.3)	144 (365.8)	154 (391.2)	164 (416.6)	174 (442.0)	184 (467.4)		191 (485.2)
48 (122.0)	\$303	379	459	529	603	661	679	771	843	875	968	1033	1103	1175	1245	1317	1388	19
60 (152.4)	324	404	492	551	637	698	719	816	886	926	1023	1090	1166	1241	1318	1394	1470	21
72 (182.9)	341	422	517	586	668	732	753	857	934	976	1083	1155	1234	1315	1394	1473	1554	23
84 (213.4)	358	442	545	621	704	767	790	904	981	1026	1136	1213	1297	1380	1463	1547	1630	24
96 (243.9)	379	465	572	648	742	807	832	946	1029	1076	1189	1270	1358	1447	1537	1624	1713	31
108 (274.4)	391	485	600	679	776	851	871	993	1073	1126	1245	1333	1425	1517	1611	1705	1798	33
120 (304.8)	412	515	632	719	821	901	918	1048	1126	1178	1305	1391	1487	1585	1681	1778	1875	36
132 (335.3)	423	550	677	764	869	950	975	1107	1194	1253	1391	1485	1588	1691	1794	1897	2001	37
144 (365.8)	435	586	718	809	916	1004	1027	1166	1265	1325	1478	1579	1686	1797	1907	2016	2124	38
156 (396.3)	445	622	761	853	964	1056	1083	1225	1335	1397	1564	1675	1791	1908	2023	2140	2257	39
168 (426.8)	454	659	801	901	1014	1109	1138	1284	1402	1472	1652	1770	1892	2015	2137	2260	2382	40
180 (457.2)	464	694	845	945	1060	1159	1193	1344	1472	1548	1738	1863	1990	2120	2249	2378	2506	41
192 (487.7)	474	731	886	989	1109	1213	1247	1402	1544	1622	1828	1955	2091	2225	2360	2495	2629	46

Add Surcharge to Blind Price

Square-Corner Valance	\$40	61	72	85	87	95	98	110	121	123	142	149	159	170	179	189	198
Round-Corner Valance	45	69	85	95	101	110	112	123	141	144	161	174	186	197	210	222	233
Double Round-Corner Valance	90	138	170	190	202	220	224	246	282	288	322	348	372	394	420	444	466

Price Group F: G-85 Dura-Vue®

Height up to inches (cm) ↓	Width up to inches (cm) →																Replmt Vanes
	25 (63.5)	38 (96.6)	50 (127.0)	63 (160.1)	75 (190.5)	85 (215.9)	88 (223.6)	100 (254.0)	113 (287.1)	120 (304.8)	132 (335.3)	144 (365.8)	154 (391.2)	164 (416.6)	174 (442.0)	178¾ (454.1)	
48 (122.0)	\$271	337	402	453	519	563	575	655	711	742	814	871	932	995	1057	1118	119
60 (152.4)	291	360	429	476	546	598	613	698	755	788	871	925	990	1055	1118	1183	21
72 (182.9)	308	378	455	509	575	629	647	735	800	832	922	984	1050	1118	1187	1255	23
84 (213.4)	322	395	481	538	613	664	680	779	845	880	973	1039	1112	1184	1257	1329	24
96 (243.9)	339	416	507	570	646	700	717	818	888	927	1025	1095	1171	1246	1322	1398	31
108 (274.4)	350	437	530	598	679	741	754	863	929	973	1079	1149	1227	1308	1385	1465	33
120 (304.8)	372	463	563	632	718	787	798	912	981	1023	1133	1206	1290	1374	1459	1544	36
132 (335.3)	380	498	603	674	764	835	849	968	1044	1092	1214	1294	1384	1476	1566	1656	37
144 (365.8)	391	532	645	717	808	884	902	1023	1110	1159	1296	1380	1477	1573	1670	1766	38

Add Surcharge to Blind Price

Square-Corner Valance	\$40	61	72	85	87	95	98	110	121	123	142	149	159	170	179	189
Round-Corner Valance	45	69	85	95	101	110	112	123	141	144	161	174	186	197	210	222
Double Round-Corner Valance	90	138	170	190	202	220	224	246	282	288	322	348	372	394	420	444

One Touch® Control outlined in the chart above. Maximum overall blind size is 10,080 square inches (6.5 m²) (w x h). Available at no charge.

Price Group F: Stay Clear™ Channel Panel Surcharges

Width up to inches (cm) →	25 (63.5)	38 (96.6)	50 (127.0)	63 (160.1)	75 (190.5)	85 (215.9)	88 (223.6)	100 (254.0)	113 (287.1)	120 (304.8)	132 (335.3)	144 (365.8)	154 (391.2)	164 (416.6)	174 (442.0)	184 (467.4)	191 (485.2)	Replmt Vanes
Channel Panel	\$41	67	117	150	167	191	219	233	255	272	305	325	347	368	389	411	433	6

Colors

Compass		Crossweave®		Network		Prescott	
Due North	0072	Beechwood	2510	Medallion	0372	Dune	0172
South Seas	0071	Brick	2504	Quicksilver	0371	Fossil	0171
True West	0070	Tahiti	2512	Seashell	0370	Mirage	0170
		Thatched Roof	2513				

*Some selections are available in coordinating LightWeaves® Roller, FashionPleat®, and EvenPleat® Shades.

Price Charts

Price Group G: Sheer Vertical Blinds: Gossamer[§], Highlight[§]

Height up to inches (cm) ↓	Width up to inches (cm) →													Replmt Vanes
	25 (63.5)	38 (96.6)	51 (129.6)	63 (160.1)	76 (193.1)	85 (215.9)	88 (223.6)	101 (256.6)	120 (304.8)	144 (365.8)	170 (431.8)	178 (452.2)	191 (485.2)	
48 (122.0)	\$844	1030	1258	1495	1679	1937	1969	2191	2437	2769	3625	3833	4111	2
60 (152.4)	917	1244	1410	1592	1811	1969	2005	2220	2613	3127	3760	3973	4243	5
72 (182.9)	964	1258	1426	1607	1832	1985	2073	2324	2694	3213	3792	4006	4281	5
84 (213.4)	979	1277	1447	1630	1848	2005	2089	2346	2746	3430	3826	4043	4325	5
96 (243.9)	988	1301	1469	1653	1872	2028	2111	2367	2815	3485	3863	4078	4358	5
104 (264.2)	1004	1306	1483	1671	1890	2046	2130	2381	2885	3541	3890	4109	4386	7
Add Surcharge to Blind Price														
Round-Corner Valance	\$49	76	93	105	111	121	124	136	159	191	231	244	257	
Double Round-Corner Valance	98	152	186	210	222	242	248	272	318	382	462	488	514	

NOTE: Dauphine[®] valance is available at no charge.

Colors

Sheer

Gossamer [§]		Highlight [§]	
Champagne	1720	Champagne	1740
Parchment	1722	Snowstone	1742
Snowstone	1724	White	1741
White	1725		

Price Group H: Sheer Vertical Blinds: Bengali[§], Cascade[§], Dijon

Height up to inches (cm) ↓	Width up to inches (cm) →													Replmt Vanes
	25 (63.5)	38 (96.6)	51 (129.6)	63 (160.1)	76 (193.1)	85 (215.9)	88 (223.6)	101 (256.6)	120 (304.8)	144 (365.8)	170 (431.8)	178 (452.2)	191 (485.2)	
48 (122.0)	\$965	1174	1435	1707	1915	2208	2245	2496	2778	3152	4133	4370	4683	2
60 (152.4)	1048	1422	1612	1814	2066	2245	2282	2530	2978	3564	4289	4531	4836	5
72 (182.9)	1102	1438	1629	1832	2087	2264	2362	2649	3075	3662	4327	4568	4884	5
84 (213.4)	1119	1462	1652	1860	2110	2282	2383	2674	3132	3915	4363	4609	4931	5
96 (243.9)	1130	1486	1676	1883	2136	2316	2407	2700	3212	3975	4404	4652	4973	5
104 (264.2)	1152	1492	1695	1909	2157	2335	2430	2717	3295	4042	4433	4685	5002	7
Add Surcharge to Blind Price														
Round-Corner Valance	\$51	81	98	110	117	127	130	142	167	200	243	257	269	
Double Round-Corner Valance	102	162	196	220	234	254	260	284	334	400	486	514	538	

NOTE: Dauphine valance is available at no charge.

Colors

Sheer

Bengali [§]		Cascade [§]		Dijon	
Jute	2760	Champagne	2080	Downey	2221
				Extra White	2220
				Stucco	2222

[§]Available in coordinating Graber[®] Artisan.

Options Pricing

Options Pricing	
Vertical Blind Options	Surcharge
Angled Window Blind	Price from G-71 charts using angle width and longest height, and add \$420
Angled Window Headrail	Price from G-71 charts using angle width, and add \$420
Bay and Corner Window	No charge
Bottom Chain and Clips (fabric)	\$45
Bottom Chain (vinyl)	\$45
Cut-Outs	\$67
Double Round-Corner Valance	See price charts for surcharge
Headrail Pricing	See headrail pricing
One Touch® Control (standard)	No charge
Paired Blinds	Price as two blinds and add together; no surcharge
Projection Brackets: 4 $\frac{3}{8}$ " (11.2 cm)	No charge
Round-Corner Valance	See price charts for surcharge
Square-Corner Valance	See price charts for surcharge
Stacking Options	Center/uneven stack: \$42 per blind; opposite stack: \$42 per blind
Stay Clear™ Channel Panels	See price charts for surcharge
Vane Replacements	See price charts
Wood Cornices and Valances	See cornice and valances price list for pricing information
Sheer Vertical Blind Options	Surcharge
Bay and Corner Window	No charge
Dauphine® Valance	No charge
Double Round-Corner Valance	See price charts for surcharge
Paired Blinds	Price as two separate blinds and add together
Round-Corner Valance	See price charts for surcharge
Vane Replacement	See price charts
Wood Cornices and Valances	See cornice and valance price list for pricing information

Options Pricing

Vertical Blinds: Headrail Pricing

Width up to inches (cm) →	25 (63.5)	38 (96.6)	50 (127.0)	63 (160.1)	75 (190.5)	85 (215.9)	88 (223.6)	100 (254.0)	113 (287.1)	120 (304.8)	132 (335.3)	144 (365.8)	158 (401.4)	170 (431.8)	177 (449.6)	191 (485.2)	
3½" (8.9 cm) Spacing for G-71 Super-Vue® and G-98 Ultra-Vue™ (headrail only, no vanes)																	
G-71 and G-98 Headrail	\$79	123	162	204	241	276	284	323	362	390	427	464	504	546	563	615	
3½" (8.9 cm) Spacing for G-85 Dura-Vue® (headrail only, no vanes)																	
G-85 Headrail	\$68	105	132	165	192	219	223	256	287	311	338	370	396	432	444		

*Dura-Vue Maximum size 178¾" (454.1 cm)

NOTE: Valance not included with replacement headrail. Must be ordered separately. See individual price chart for ordering.
Replacement headrails include installation hardware.

Sheer Vertical Blinds: Replacement Headrail Pricing

Width up to inches (cm) →	25 (63.5)	38 (96.6)	51 (129.6)	63 (160.1)	76 (193.1)	85 (215.9)	88 (223.6)	101 (256.6)	120 (304.8)	144 (365.8)	170 (431.8)	178 (452.2)	191 (485.2)
Headrail	\$105	160	212	265	317	353	369	422	502	603	712	739	799

Sheer Vertical Blinds: Replacement Fabric Pricing

Width up to inches (cm) →	25 (63.5)	38 (96.6)	51 (129.6)	63 (160.1)	76 (193.1)	85 (215.9)	88 (223.6)	101 (256.6)	120 (304.8)	144 (365.8)	170 (431.8)	178 (452.2)	191 (485.2)
Group G	\$781	1187	1270	1528	1691	1753	1854	2079	2449	2904	3427	3586	3852
Group H	901	1374	1481	1775	1995	2059	2183	2451	2894	3436	4054	4241	4556

Sheer Vertical Blinds: Replacement Valance Fabric Only Pricing

Width up to inches (cm) →	25 (63.5)	38 (96.6)	51 (129.6)	63 (160.1)	76 (193.1)	85 (215.9)	88 (223.6)	101 (256.6)	120 (304.8)	144 (365.8)	170 (431.8)	178 (452.2)	191 (485.2)
Valance Fabric Only	\$18	24	39	50	55	62	64	74	92	108	129	132	141

Replacement Dauphine® Valance with Shirred Fabric Pricing

Width up to inches (cm) →	25 (63.5)	38 (96.6)	51 (129.6)	63 (160.1)	76 (193.1)	85 (215.9)	88 (223.6)	101 (256.6)	120 (304.8)	144 (365.8)	170 (431.8)	178 (431.8)	191 (485.2)
Group G	\$94	138	186	236	284	330	335	394	452	557	657	690	737
Group H	108	161	213	260	310	347	361	410	488	589	699	726	783

Replacement Round-Corner Valance Pricing

Width up to inches (cm) →	25 (63.5)	38 (96.6)	51 (129.6)	63 (160.1)	76 (193.1)	85 (215.9)	88 (223.6)	101 (256.6)	120 (304.8)	144 (365.8)	170 (431.8)	178 (431.8)	191 (485.2)
Group G	\$52	80	98	111	117	128	131	144	168	202	244	258	272
Group H	54	86	104	116	124	134	137	150	176	211	257	272	284

Replacement Double Round-Corner Valance Pricing

Width up to inches (cm) →	25 (63.5)	38 (96.6)	51 (129.6)	63 (160.1)	76 (193.1)	85 (215.9)	88 (223.6)	101 (256.6)	120 (304.8)	144 (365.8)	170 (431.8)	178 (431.8)	191 (485.2)
Group G	\$104	161	197	222	235	256	262	287	336	404	488	516	543
Group H	108	171	207	232	247	268	275	300	353	423	514	543	569

GRABER®

Graber is a brand of Springs Window Fashions, the Best Experience Company 

Graber and the Graber logo are registered trademarks of Springs Window Fashions, LLC.

19-0768-02 (02/19) 18-10537|S18-9345