

# EXTERIOR SOLAR SHADES

## Table of Contents

<b>Features</b>	
Summary . . . . .	2
Fabric Styles and Information: Exterior Solar Shades . . . . .	2
Light Gaps . . . . .	3
Fabric Recommendations . . . . .	3
Fabric Disclaimers . . . . .	3
Large Window Sizing . . . . .	3
Light Control and Privacy . . . . .	3
Fabric Certifications . . . . .	3
<b>Size Considerations</b>	
Continuous-Loop Lift and Motorized Lift: Maximum Shade Size . . . . .	4
How to Determine Maximum Shade Size . . . . .	5
Planning for Installation of Exterior Shades . . . . .	5
Depth Requirements for Inside Mount . . . . .	6
Guide Cables . . . . .	6
Motor Power Cable . . . . .	6
<b>Options</b>	
Summary . . . . .	7
Reverse Roll . . . . .	7
Continuous-Loop Lift . . . . .	7
Curved Cassette Valance . . . . .	7
Motorized Lift . . . . .	8
<b>General Information</b>	
Exterior Continuous-Loop Lift Product Detail . . . . .	9
Exterior Motorized Lift Shade Product Detail . . . . .	10
<b>Price Charts and Options Pricing</b>	
Price Group CA: Continuous-Loop Lift: Broadcast, Chronicles, Monticello, Plexus 1%, Plexus 3%, Plexus 5%, Standard Weave 1%, Standard Weave 3%, Standard Weave 5%, Standard Weave 10%, Vanguard 1%, Vanguard 3%, Vanguard 5%, Venture. . . . .	11
Price Group CB: Continuous-Loop Lift: Merit, Paradigm, Reaction, Resolve. . . . .	12
Price Group MA: Motorized Lift: Broadcast, Chronicles, Monticello, Plexus 1%, Plexus 3%, Plexus 5%, Standard Weave 1%, Standard Weave 3%, Standard Weave 5%, Standard Weave 10%, Vanguard 1%, Vanguard 3%, Vanguard 5%, Venture. . . . .	13
Price Group MB: Motorized Lift: Merit, Paradigm, Reaction, Resolve . . . . .	14
Options Pricing . . . . .	15

# GRABER®

UNITED STATES PRICE LIST • FEBRUARY 2019

# Features

## Exterior Solar Shades Expand Your Outdoor Living Space

- Maintain an outdoor view
  - Filter and diffuse light while maintaining an outward view
  - The higher the openness factor and the darker the fabric, the clearer the view
- Manage glare
  - Minimize glare on televisions and home office computers
  - The darker the fabric color, the better the glare control and visibility
- Block damaging UV rays
  - The amount of UV ray blockage is the inverse of a fabric's openness factor (i.e., a fabric with 10% openness blocks 90% of UV rays)
  - Protect furniture, carpets, artwork, etc. from fading due to harmful UV rays

- Temperature control
  - Exterior shades reduce solar heat gain before it enters the house, reducing air conditioning costs
  - Solar fabrics reduce heat transmittance, keeping rooms cooler and increasing the comfort level in your home
  - The lighter the fabric color, the better the temperature control

**IMPORTANT:** Shades must be raised fully during inclement weather and windy conditions.

## Fabric Styles and Information: Exterior Solar Shades

Style Name	Openness	UV Blockage	Fabric Composition	Useable Fabric Width inches (cm)	GREENGUARD Certified	Anti-Microbial	FR Rated	Can be Railroaded Turned 90° (width for height)	Can be Seamed	Color Number
Broadcast	1%	99%	25% polyester/ 75% vinyl on polyester	116 (294.7)	•	•	•	•	•	All
Chronicles	4%	96%	15% polyester/ 85% vinyl on polyester	96 (243.9)	•	•	•	•	•	All
Merit	4%	96%	15% polyester/ 85% vinyl on polyester	96 (243.9)	•	•	•	•	•	All
Monticello	7%	93%	23.8% polyester/ 76.2% vinyl on polyester	96 (243.9)	•	•	•	•	•	All
Paradigm	8%	92%	25% polyester/ 75% vinyl on polyester	96 (243.9)	•	•	•	•	•	All
Plexus 1%	1%	99%	19% polyester/ 81% vinyl on polyester	116 (294.7)	•	•	•	•	•	All
Plexus 3%	3%	97%	19% polyester/ 81% vinyl on polyester	116 (294.7)	•	•	•	•	•	All
Plexus 5%	5%	95%	19% polyester/ 81% vinyl on polyester	116 (294.7)	•	•	•	•	•	All
Reaction	4%	96%	15% polyester/ 85% vinyl on polyester	96 (243.9)	•	•	•	•	•	All
Resolve	3%	97%	24% polyester/ 76% vinyl on polyester	96 (243.9)	•	•	•	•	•	All
Standard Weave 1%	1%	99%	21% polyester/ 79% vinyl on polyester	116 (294.7)	•	•	•	•	•	47905, 47907, 47908
			24% polyester/ 76% vinyl on polyester							47901, 47906
			25% polyester/ 75% vinyl on polyester							47903, 47904
Standard Weave 3%	3%	97%	18% polyester/ 82% vinyl on polyester	116 (294.7)	•	•	•	•	•	48203, 48204
			21% polyester/ 79% vinyl on polyester							48205, 48207, 48208
			24% polyester/ 76% vinyl on polyester							48201
Standard Weave 5%	5%	95%	16% polyester/ 84% vinyl on polyester	116 (294.7)	•	•	•	•	•	48303, 48304
			21% polyester/ 79% vinyl on polyester							48305, 48307, 48308
			24% polyester/ 76% vinyl on polyester							48301
Standard Weave 10%	10%	90%	16% polyester/ 84% vinyl on polyester	116 (294.7)	•	•	•	•	•	48403, 48404
			21% polyester/ 79% vinyl on polyester							48405, 48407, 48408
			24% polyester/ 76% vinyl on polyester							48401
Vanguard 1%	1%	99%	21% polyester/ 79% vinyl on polyester	116 (294.7)	•	•	•	•	•	47912, 47914, 47918, 47917
			24% polyester/ 76% vinyl on polyester							47909, 47915, 47916
			25% polyester/ 75% vinyl on polyester							47910, 47919
Vanguard 3%	3%	97%	18% polyester/ 82% vinyl on polyester	116 (294.7)	•	•	•	•	•	48210, 48219
			21% polyester/ 79% vinyl on polyester							48212, 48214, 48217, 48218
			24% polyester/ 76% vinyl on polyester							48209, 48215, 48216
Vanguard 5%	5%	95%	16% polyester/ 84% vinyl on polyester	116 (294.7)	•	•	•	•	•	48310, 48319
			21% polyester/ 79% vinyl on polyester							48312, 48314, 48317, 48318
			24% polyester/ 76% vinyl on polyester							48309, 48315, 48316
Venture	7%	93%	16% polyester/ 84% vinyl on polyester	96 (243.9)	•	•	•	•	All	

# Features

## Light Gaps

A light gap will be present on inside mounted shades. An outside mount with overlap is recommended to eliminate light gap.

Control Type	Light Gap Per Side inches (cm)
Continuous-Loop Lift No Cassette	$\frac{3}{16}$ to $\frac{1}{4}$ (1.5 to 2.1)
Continuous-Loop Lift with Cassette	$\frac{3}{16}$ to 1 (1.5 to 2.6)
Motorized Lift with Cassette	1 to $1\frac{1}{8}$ (2.6 to 3.4)

## Fabric Recommendations

Please order all shades at the same time to ensure color consistency and minimize dye lot variation.

## Fabric Disclaimers

Due to the nature of the weaving process, some imperfection in the weave is normal.

Roll direction cannot be reversed after a shade is ordered.

Fabric appearance can vary based on changing lighting conditions.

Fabrics turned width for height (referred to as railroaded) may curl along the edge. With extremely wide or railroaded shades, a V shape may appear in the center of the panel. This is expected behavior and occurs due to the weight of the fabric. This is not a defect in the product.

## Fabric Certifications

**GREENGUARD Indoor Air Quality Certified® Fabrics:** Many Graber® fabrics have been certified by GREENGUARD Environmental Institute (GEI) to be low chemical and particle emitting fabrics, providing a healthier indoor air quality. The process used for certification complies with established indoor air quality standards and is performed by a third party lab. Please see [graberblinds.com](http://graberblinds.com) for more information.

[greenguard.org](http://greenguard.org)

GREENGUARD Indoor Air Quality Certified is a registered trademark of the GREENGUARD Environmental Institute.

## Large Window Sizing

Some fabrics can be turned 90° clockwise (width for height) to accommodate wider windows. In these cases some solar fabrics can be seamed for longer lengths. Fabrics turned width for height (referred to as railroaded) may curl along the edge. This is not a defect in the product.

## Light Control and Privacy

**Privacy:** Solar shades do not offer nighttime privacy—lighted interiors allow inward visibility. If complete privacy is desired, consider adding an additional window treatment.



## Size Considerations

### Continuous-Loop Lift and Motorized Lift: Maximum Shade Size

Fabric	Normal Fabric Orientation					
	Continuous-Loop Lift Medium Cassette		Continuous-Loop Lift Large Cassette/ No Cassette/ No Valance		120 Volt Motor Large Cassette	
	Width inches (cm)	Height inches (cm)	Width inches (cm)	Height inches (cm)	Width inches (cm)	Height inches (cm)
Broadcast	77 (195.6)	111 (282.0)	117 (297.2)	144 (365.8)	117 (297.2)	144 (365.8)
Chronicles	97 (246.4)	119 (302.3)	97 (246.4)	144 (365.8)	97 (246.4)	144 (365.8)
Merit	97 (246.4)	119 (302.3)	97 (246.4)	144 (365.8)	97 (246.4)	144 (365.8)
Monticello	77 (195.6)	107 (271.8)	97 (246.4)	144 (365.8)	97 (246.4)	144 (365.8)
Paradigm	82 (208.3)	121 (307.4)	97 (246.4)	144 (365.8)	97 (246.4)	144 (365.8)
Plexus 1%	74 (188.0)	109 (276.9)	116 (294.7)	124 (315.0)	117 (297.2)	144 (365.8)
Plexus 3%	75 (190.5)	112 (284.5)	117 (297.2)	133 (337.9)	117 (297.2)	144 (365.8)
Plexus 5%	75 (190.5)	122 (309.9)	117 (297.2)	144 (365.8)	117 (297.2)	144 (365.8)
Reaction	97 (246.4)	119 (302.3)	97 (246.4)	144 (365.8)	97 (246.4)	144 (365.8)
Resolve	97 (246.4)	105 (266.7)	97 (246.4)	144 (365.8)	97 (246.4)	144 (365.8)
Standard Weave 1%	107 (271.8)	114 (289.6)	117 (297.2)	144 (365.8)	117 (297.2)	144 (365.8)
Standard Weave 3%	108 (274.4)	114 (289.6)	117 (297.2)	144 (365.8)	117 (297.2)	144 (365.8)
Standard Weave 5%	108 (274.4)	124 (315.0)	117 (297.2)	144 (365.8)	117 (297.2)	144 (365.8)
Standard Weave 10%	108 (274.4)	130 (330.2)	117 (297.2)	144 (365.8)	117 (297.2)	144 (365.8)
Vanguard 1%	107 (271.8)	114 (289.6)	117 (297.2)	144 (365.8)	117 (297.2)	144 (365.8)
Vanguard 3%	108 (274.4)	114 (289.6)	117 (297.2)	144 (365.8)	117 (297.2)	144 (365.8)
Vanguard 5%	108 (274.4)	124 (315.0)	117 (297.2)	144 (365.8)	117 (297.2)	144 (365.8)
Venture	97 (246.4)	94 (238.8)	97 (246.4)	144 (365.8)	97 (246.4)	144 (365.8)

Fabric	Fabric Turned Width for Height (Railroaded)									
	Continuous-Loop Lift Medium Cassette		Continuous-Loop Lift Large Cassette/ No Cassette/ No Valance		Continuous-Loop Lift Large Cassette/ No Cassette/ No Valance at Max Width		120 Volt Motor Large Cassette at Max Height		120 Volt Motor Large Cassette at Max Width	
	Width inches (cm)	Height inches (cm)	Width inches (cm)	Height inches (cm)	Width inches (cm)	Height inches (cm)	Width inches (cm)	Height inches (cm)	Width inches (cm)	Height inches (cm)
Broadcast	77 (195.6)	111 (282.0)	128 (325.2)	133 (337.9)	128 (325.2)	133 (337.9)	127 (322.6)	144 (365.8)	144 (365.8)	74 (188.0)
Chronicles	NO RR	NO RR	NO RR	NO RR	NO RR	NO RR	NO RR	NO RR	NO RR	NO RR
Merit	NO RR	NO RR	NO RR	NO RR	NO RR	NO RR	NO RR	NO RR	NO RR	NO RR
Monticello	81 (205.8)	86 (218.5)	111 (282.0)	83 (210.9)	144 (365.8)	80 (203.2)	141 (358.2)	81 (205.8)	144 (365.8)	72 (182.9)
Paradigm	NO RR	NO RR	NO RR	NO RR	NO RR	NO RR	NO RR	NO RR	NO RR	NO RR
Plexus 1%	74 (188.0)	109 (276.9)	119 (302.3)	120 (304.8)	119 (302.3)	120 (304.8)	123 (312.5)	144 (365.8)	144 (365.8)	74 (188.0)
Plexus 3%	75 (190.5)	112 (284.5)	122 (309.9)	127 (322.6)	122 (309.9)	127 (322.6)	125 (317.5)	144 (365.8)	144 (365.8)	80 (203.2)
Plexus 5%	75 (190.5)	122 (309.9)	127 (322.6)	133 (337.9)	127 (322.6)	133 (337.9)	127 (322.6)	144 (365.8)	144 (365.8)	88 (223.6)
Reaction	NO RR	NO RR	NO RR	NO RR	NO RR	NO RR	NO RR	NO RR	NO RR	NO RR
Resolve	NO RR	NO RR	NO RR	NO RR	NO RR	NO RR	NO RR	NO RR	NO RR	NO RR
Standard Weave 1%	107 (271.8)	114 (289.6)	135 (342.9)	144 (365.8)	135 (342.9)	144 (365.8)	130 (330.2)	144 (365.8)	144 (365.8)	117 (297.2)
Standard Weave 3%	108 (274.4)	114 (289.6)	139 (353.1)	144 (365.8)	139 (353.1)	144 (365.8)	131 (332.8)	144 (365.8)	144 (365.8)	117 (297.2)
Standard Weave 5%	108 (274.4)	124 (315.0)	140 (355.6)	144 (365.8)	140 (355.6)	144 (365.8)	133 (337.9)	144 (365.8)	144 (365.8)	128 (325.2)
Standard Weave 10%	108 (274.4)	130 (330.2)	142 (360.7)	144 (365.8)	142 (360.7)	144 (365.8)	135 (342.9)	144 (365.8)	144 (365.8)	134 (340.4)
Vanguard 1%	107 (271.8)	114 (289.6)	135 (342.9)	144 (365.8)	135 (342.9)	144 (365.8)	130 (330.2)	144 (365.8)	144 (365.8)	117 (297.2)
Vanguard 3%	108 (274.4)	114 (289.6)	139 (353.1)	144 (365.8)	139 (353.1)	144 (365.8)	131 (332.8)	144 (365.8)	144 (365.8)	117 (297.2)
Vanguard 5%	108 (274.4)	124 (315.0)	140 (355.6)	144 (365.8)	140 (355.6)	144 (365.8)	133 (337.9)	144 (365.8)	144 (365.8)	128 (325.2)
Venture	NO RR	NO RR	NO RR	NO RR	NO RR	NO RR	NO RR	NO RR	NO RR	NO RR

Due to continuous manufacturing improvements, minimums and maximums are subject to change. Please call customer service for up-to-date size considerations. These tables provide the maximum shade size available by fabric and cassette. Seams may be added to fabrics to accommodate long shade requirements. For shades longer than material width, seams will be visible when the shade is fully extended.

# Size Considerations

## How to Determine Maximum Shade Size

Follow these easy steps to determine maximum shade size and valance size from the maximum shade size tables.

1. Determine your fabric style, shade size, and cassette (or no cassette for continuous-loop lift) requirement.
2. Find the fabric in the first column.
3. Determine if your shade size is within the normal fabric orientation size range.
4. Identify the appropriate size cassette (or no cassette for continuous-loop lift) for your shade size.
5. If your shade size is larger than either the maximum width or height range, your fabric may be able to be turned width for height for larger shades. Use the fabric turned width for height (railroaded) table.

**EXAMPLE:** Determine the maximum allowable shade size and cassette for normal orientation shades. The example continuous-loop lift shade is 110" x 120" (279.4 cm x 304.8 cm) Vanguard 5% with cassette.

1. Find Vanguard 5% in the first column.
2. Follow the Vanguard 5% fabric row to the width and height sizes.
3. The maximum width and maximum height in normal fabric orientation available for this configuration is 117" x 144" (297.2 cm x 365.8 cm).  
**NOTE:** Both width and height must be less than the maximum width and height segment to fit the normal shade orientation.
4. Follow this segment to the top of the table. This segment is within the large cassette size indicating this shade's smallest segment cassette size available is a large size cassette.

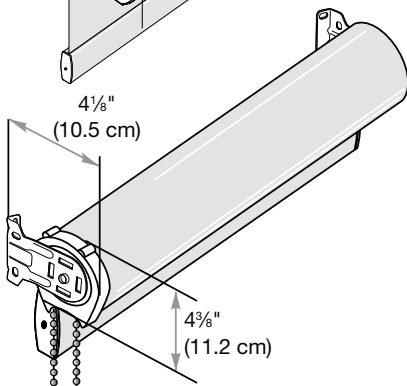
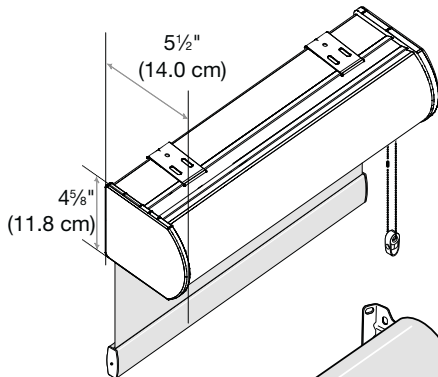
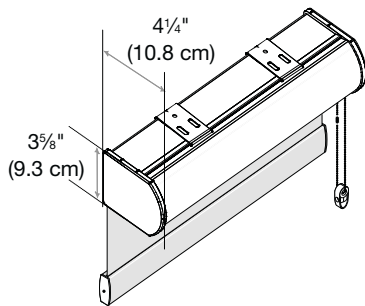
## Planning for Installation of Exterior Shades

Use the following planning guidelines for your exterior shade:

1. Determine the location of the shade.
2. Motorized lift shade: Determine the exterior power location. Measure the distance from the planned shade location to the electrical outlet or jbox to order the motor power cable lead length (10 feet (3.1 meters)).
3. Determine the side of the shade (left or right) the bead chain for continuous-loop lift or the motor power cable for motorized lift should exit.
4. For top mounts, large cassette installation: ½" (1.3 cm) spacing is required between the window and the back of the bracket.
5. For wall mounts, large cassette installation: ¾" (1.0 cm) clearance is required above bracket.
6. Use a stud finder to locate solid area to mount installation brackets.
7. Installation of motorized lift shades may require two people.
8. Never install exterior shades in windy conditions.
9. A licensed electrician is required for all electrical connections. All local and NEC codes must be followed.
10. The installation screws provided are for mounting on wood. For mounting on materials other than wood, please consult a qualified professional.

## Size Considerations

### Depth Requirements for Inside Mount



- The following diagrams illustrate the mounting depth requirements for shades mounted inside window casements or deck/porch frames
- Motorized lift shades come standard with the large cassette valance
- Continuous-loop lift shades shown

#### Medium Cassette Valance

- 1 3/4" (4.5 cm) minimum inside mount (continuous-loop lift only)

#### Large Cassette Valance

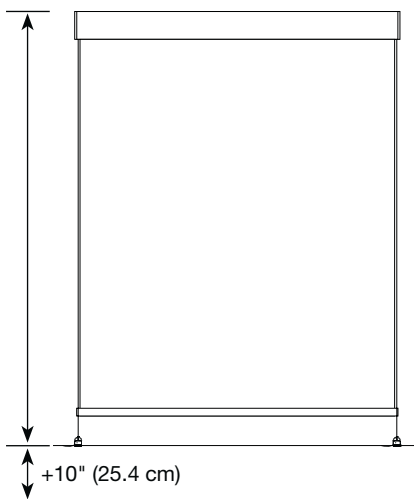
- 1 3/4" (4.5 cm) minimum inside mount

#### No Valance\*

- 3/4" (2.0 cm) minimum needed to attach bracket for an inside/side mount
- 4 1/8" (10.5 cm) minimum for an inside/top mount

\*Largest possible measurement given. This will vary with fabric and window dimensions.

### Guide Cables (motorized lift shades only)



Use the following to determine the guide cable length that will be provided with your shade:

1. Add 10" (25.4 cm) to the shade height.
2. The next longest cable length will be supplied.
  - Included in motorized lift pricing
  - Stainless steel guide cable
  - Four lengths available: 54" (137.2 cm), 80" (203.2 cm), 144" (365.8 cm), and 186" (472.5 cm)
  - Stainless steel cable locks included
  - Cables will be at least 10" (25.4 cm) longer than ordered height; longer cable can be cut to length needed

**EXAMPLE:** Shade height is 95" (241.3 cm). Add 10" (25.4 cm) = 105" (266.7 cm). Shade will come with a guide cable at 144" (365.8 cm). Cable can be cut to required length at time of installation.

### Motor Power Cable

1. Estimate the number of feet from the cassette valance motor power cable exit to the electrical junction box or GFCI (ground fault circuit interrupter) outlet.
2. Select 10 feet (3.1 meters).

# Options

## Summary

### Control Type Options

- Continuous-loop lift
- Motorized lift with guide cables

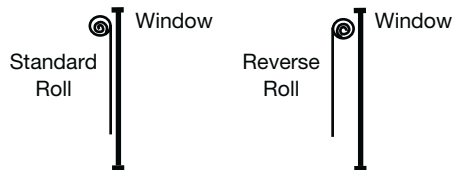
### Shade Options—No Charge

- Chain location
- Turning fabric width for height to accommodate wider windows
- Longer chain length
- Reverse roll
- Cable locks—motorized lift
- Guide cables—motorized lift
- Hold downs—continuous-loop lift

### Shade Options—Surcharge

- Cassette valance
- Motorization accessories

## Reverse Roll

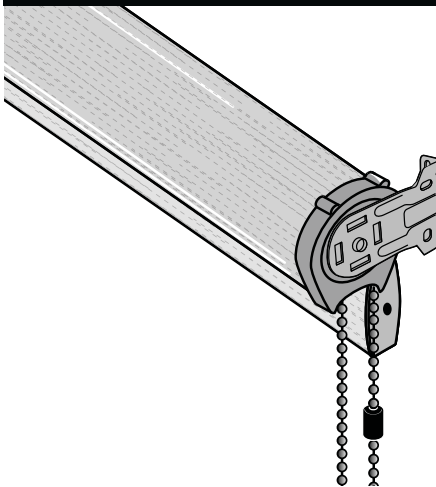


### • No charge

- Standard roll is where fabric rolls over the tube to the back
- Reverse roll is where the fabric rolls over the tube to the front
- Reverse roll not available with cassette valance
- Roll direction cannot be changed after shade is manufactured

**NOTE:** For optimal privacy and light control, standard roll should be used.

## Continuous-Loop Lift

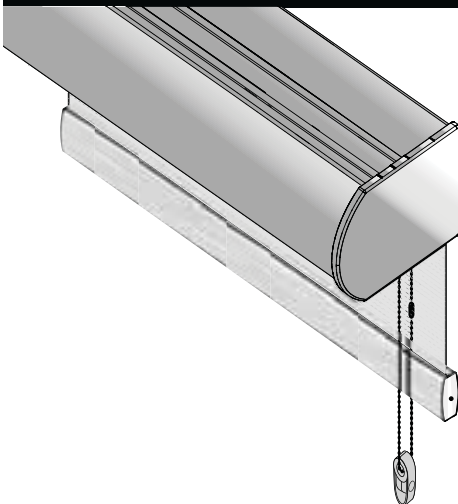


### • For pricing, see price chart

- Beaded chain and clutch system makes raising and lowering shade easy
- Two clutch sizes depending on shade size
- Stainless bead chain stays same length regardless of shade position
- Bead chain length is approximately  $\frac{7}{8}$  length of shade; customer can request longer chain length at time of order
- Chain is kept at a constant length and held taut by a safety hold down device
- **NOTE:** Hold down device must be installed to operate the shade.
- Choose left or right chain location (right is standard)
- Optional powder-coated cassette valance comes in two sizes (medium or large) and four colors: Black 939, Brown 873, Vanilla 970, White 871
- Component and cassette valance color is selectable
- Hem bar hold downs attach the shade to the frame of the window or deck/patio
- Fabrics and components are specifically designed for outdoor use

**NOTE:** All exterior shades must be fully raised in wind and inclement weather.

## Curved Cassette Valance



### • For surcharge, see price chart

- Curved, sleek, aluminum-extruded cassette valance
- Available in four colors: Black 939, Brown 873, Vanilla 970, White 871
- Powder-coated finish
- Rated for outdoor use
- Curved cassette valance must be ordered at the same time as the continuous-loop lift shade (**NOTE:** Automatically comes with motorized lift.)
- Sizes: medium  $3\frac{5}{8}$ " high x  $4\frac{1}{4}$ " deep (9.3 cm high x 10.8 cm deep) (continuous-loop lift only);  
large  $4\frac{5}{8}$ " high x  $5\frac{1}{2}$ " deep (11.8 cm high x 14.0 cm deep)

# Options

## Motorized Lift

- **For pricing, see price charts**
- Components are rated for exterior use
- Motorized lift shades come standard with a radio frequency AC motor providing convenient operation through wireless remote controllers and wall switches
- Powered using a 3-prong plug (residential outlet) (sold separately) or wired directly by an electrician
- Radio frequency operation allows shade operation from virtually anywhere without direct line of sight; no wiring is required between the motor and the controllers
- Upper and lower motor limits are pre-programmed for added convenience
- Large cassette valance is included in price, available in four colors: Black 939, Brown 873, Vanilla 970, White 871
- Universal cable locks are standard
- Guide cables are secured with unique, universal cable lock that can be mounted base/sill or back/wall
- Guide cables determined by shade height; 54" (137.2 cm), 80" (203.2 cm), 144" (365.8 cm), 186" (472.5 cm)

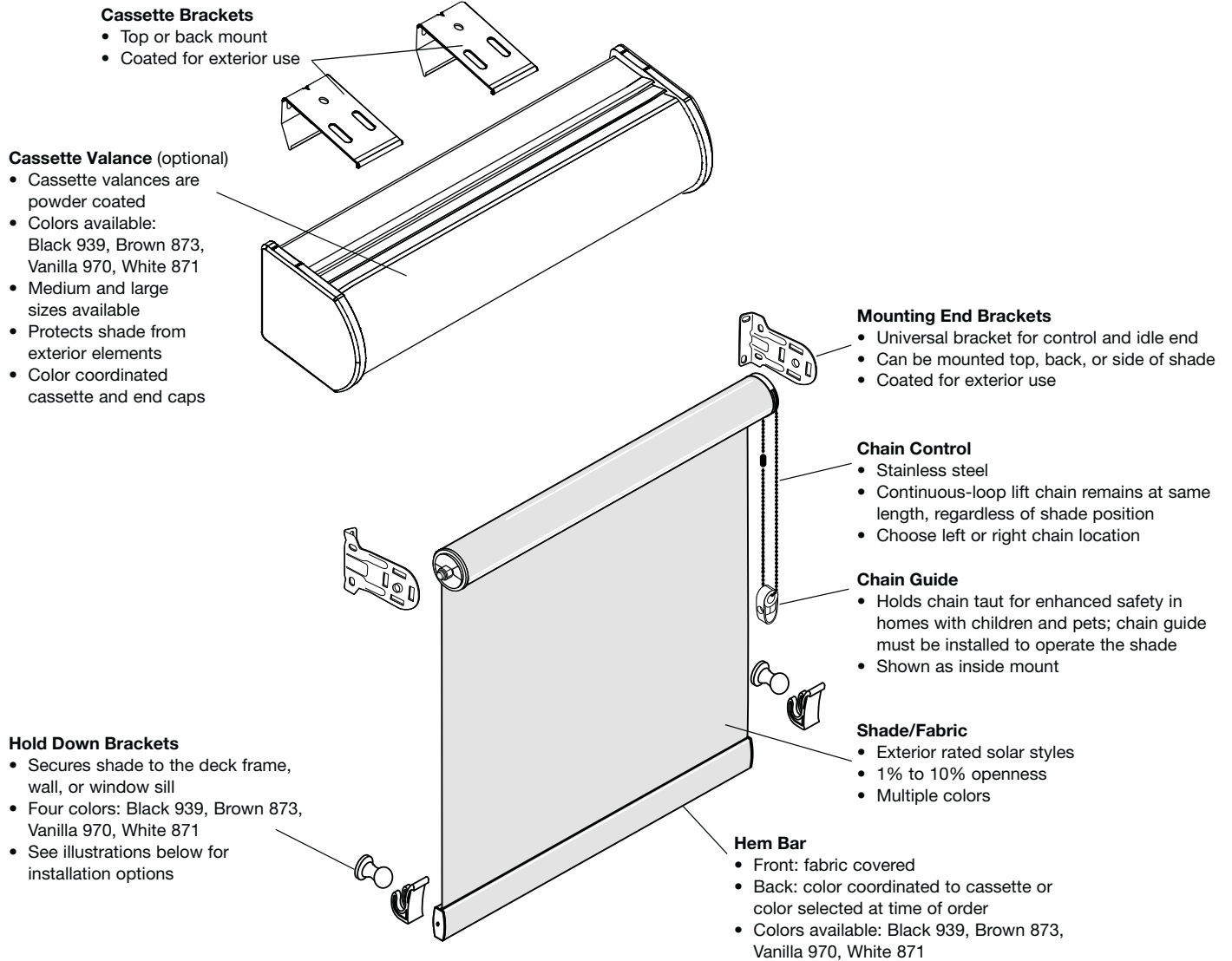
### Motorized Lift Options

- Controllers and wall switches are wireless, providing installation and operation convenience
- 1- and 5-channel remote controllers operate individual or groups of shades
- Exterior rated remote controls are water resistant and shock proof
- Interior remote controllers and wireless wall switches can operate the same shades
- Interior wireless 1- and 5-channel wall switches provide convenient operation of individual or groups of shades from inside the home
- Wind sensor will automatically raise the shade in windy conditions, providing protection of your shades
- Choose left or right motor power cable location
- Power cable length available: 10 feet (3.1 meters)
- Exterior rated black plug available

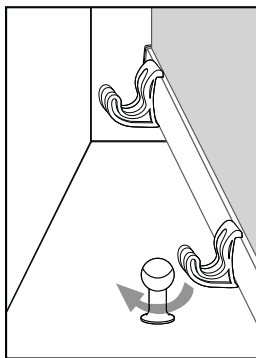


# General Information

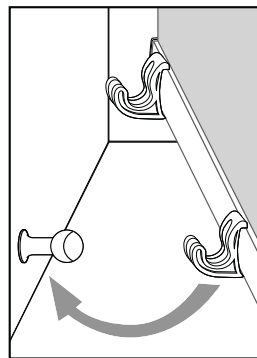
## Exterior Continuous-Loop Lift Product Detail



**NOTE:** The installation screws provided are for mounting on wood. For mounting on materials other than wood, please consult a qualified contractor.



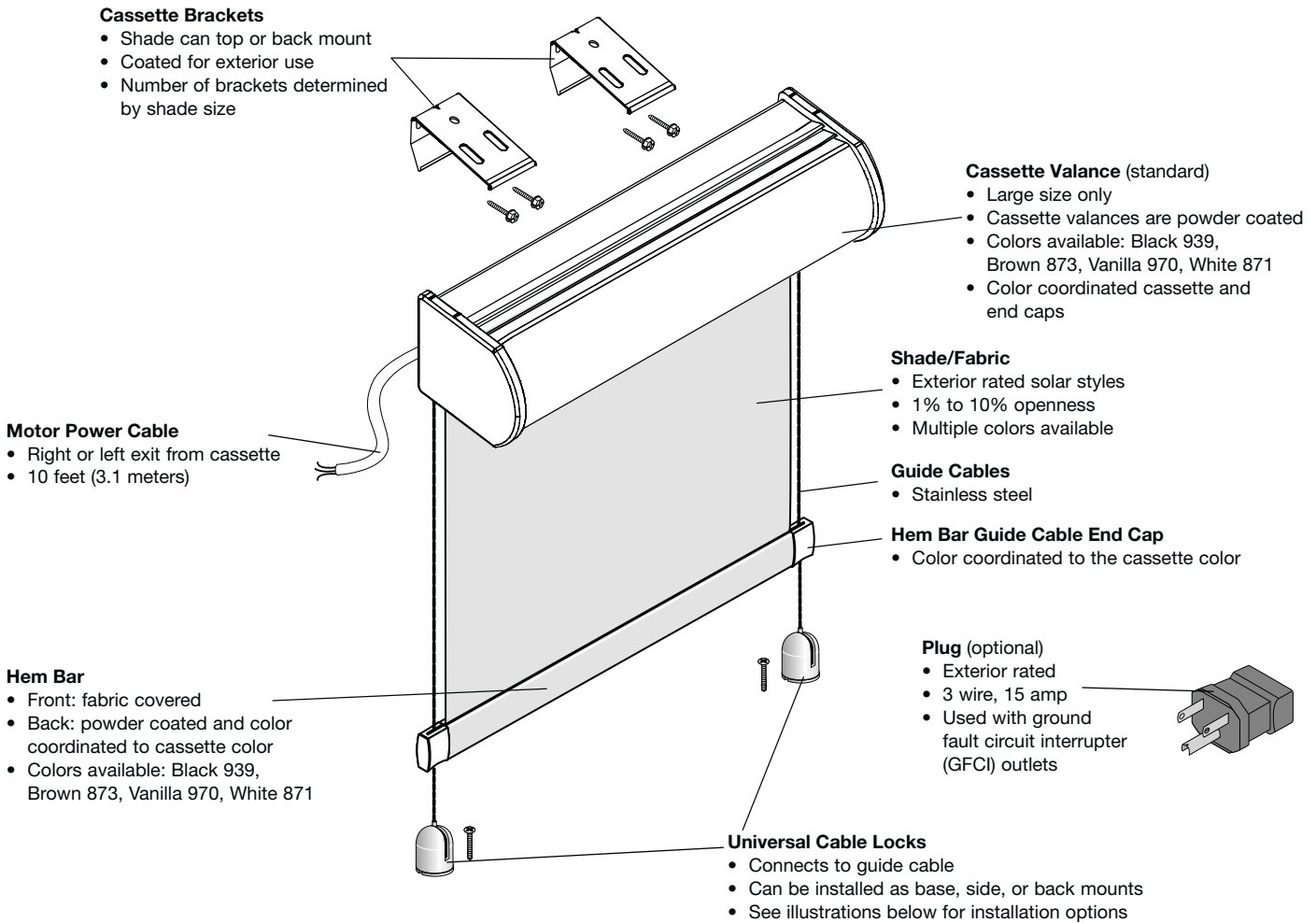
Base/Sill Mount



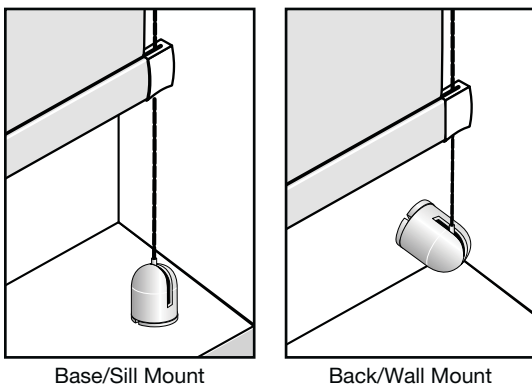
Back/Wall Mount

# General Information

## Exterior Motorized Lift Shade Product Detail



**NOTES:** A licensed electrician is required for all electrical connections. All local and NEC codes must be followed. The installation screws provided are for mounting on wood. For mounting on materials other than wood, please consult a qualified contractor.



## Price Charts

### Price Group CA: Continuous-Loop Lift: Broadcast, Chronicles, Monticello, Plexus 1%, Plexus 3%, Plexus 5%, Standard Weave 1%, Standard Weave 3%, Standard Weave 5%, Standard Weave 10%, Vanguard 1%, Vanguard 3%, Vanguard 5%, Venture

Height up to inches (cm)	Width up to inches (cm) →															
	24 (61.0)	32 (81.3)	36 (91.5)	42 (106.7)	48 (122.0)	54 (137.2)	60 (152.4)	66 (167.7)	72 (182.9)	78 (198.2)	84 (213.4)	96 (243.9)	108 (274.4)	120 (304.8)	132 (335.3)	144 (365.8)
36 (91.5)	\$199	212	225	238	247	272	295	318	346	437	459	516	564	624	692	769
42 (106.7)	202	215	233	253	272	299	324	351	381	472	501	557	616	678	755	838
48 (114.3)	208	219	242	269	292	324	354	384	413	509	540	598	657	737	815	906
54 (137.2)	215	223	249	282	314	349	383	413	443	547	577	644	712	791	877	975
60 (152.4)	223	227	259	295	333	371	409	442	473	583	613	688	763	847	939	1043
66 (167.7)	227	232	274	317	356	408	440	473	508	622	647	722	815	903	1002	1113
72 (182.9)	234	246	290	336	381	446	468	506	540	657	683	754	867	959	1064	1182
78 (198.2)	242	264	309	355	401	458	493	534	575	697	732	803	916	1012	1125	1248
84 (213.4)	248	278	326	373	423	471	518	563	607	737	776	850	963	1064	1182	1312
96 (243.9)	256	300	355	409	464	520	576	625	673	823	901	997	1107	1231	1355	1479
108 (274.4)	276	339	399	459	521	583	645	701	755	928	983	1106	1345	1496	1645	1794
120 (304.8)	306	376	443	514	581	647	717	780	839	1030	1152	1315	1458	1620	1783	1864
132 (335.3)	366	430	491	567	644	721	796	863	933	1145	1229	1447	1619	1800	1980	2069
144 (365.8)	378	462	547	630	715	799	881	959	1035	1268	1458	1607	1797	1997	2196	2295
<b>Option Surcharges: Add Surcharge to Shade Price</b>																
Medium Cassette Valance	\$73	83	90	97	110	127	137	153	163	165	180	192	206	221	238	255
Large Cassette Valance	83	97	110	120	127	137	153	163	173	183	197	220	243	263	285	306

### Solar Style and Colors

Broadcast	Plexus 5%	Standard Weave 10%	Vanguard 5%
Alfresco . . . . . 47504	Soapstone . . . . . 47801	Café Doppio . . . . . 48407	Authentic . . . . . 48309
Cashmere . . . . . 47503	Sublime Gray . . . . . 47812	Calcite . . . . . 48401	Chrome . . . . . 48315
Constellation . . . . . 47501	Tranquility . . . . . 47811	Chiseled . . . . . 48408	Cortina . . . . . 48310
Continental . . . . . 47508	<b>Standard Weave 1%</b>	Infalible . . . . . 48403	Dew . . . . . 48314
Genuine . . . . . 47513	Café Doppio . . . . . 47907	Once . . . . . 48404	Elusive . . . . . 48312
Gourmet . . . . . 47514	Calcite . . . . . 47901	Veranda . . . . . 48405	Homage . . . . . 48317
Motif . . . . . 47505	Chiseled . . . . . 47908	<b>Vanguard 1%</b>	Obsidian . . . . . 48319
Serenade . . . . . 47515	Infalible . . . . . 47903	Authentic . . . . . 47909	Peloton . . . . . 48318
Simplicity . . . . . 47509	Once . . . . . 47904	Chrome . . . . . 47915	Pendulum . . . . . 48316
Sonnet . . . . . 47502	Polished . . . . . 47906	Cortina . . . . . 47910	<b>Venture</b>
Taliesin . . . . . 47506	Veranda . . . . . 47905	Dew . . . . . 47914	Backdrop . . . . . 46906
<b>Chronicles</b>	<b>Standard Weave 3%</b>	Elusive . . . . . 47912	Capture . . . . . 46902
Skyline . . . . . 49202	Café Doppio . . . . . 48207	Homage . . . . . 47917	Iconic . . . . . 46901
Sumatra . . . . . 49203	Calcite . . . . . 48201	Obsidian . . . . . 47919	Minimal . . . . . 46904
Tuxedo . . . . . 49204	Chiseled . . . . . 48208	Peloton . . . . . 47918	Vibe . . . . . 46905
<b>Monticello</b>	Infalible . . . . . 48203	Pendulum . . . . . 47916	
Rust . . . . . 40445	Once . . . . . 48204	<b>Vanguard 3%</b>	
<b>Plexus 1%</b>	Veranda . . . . . 48205	Authentic . . . . . 48209	
Soapstone . . . . . 47601	<b>Standard Weave 5%</b>	Chrome . . . . . 48215	
Sublime Gray . . . . . 47612	Café Doppio . . . . . 48307	Cortina . . . . . 48210	
Tranquility . . . . . 47611	Calcite . . . . . 48301	Dew . . . . . 48214	
<b>Plexus 3%</b>	Chiseled . . . . . 48308	Elusive . . . . . 48212	
Soapstone . . . . . 47701	Infalible . . . . . 48303	Homage . . . . . 48217	
Sublime Gray . . . . . 47712	Once . . . . . 48304	Obsidian . . . . . 48219	
Tranquility . . . . . 47711	Veranda . . . . . 48305	Peloton . . . . . 48218	
		Pendulum . . . . . 48216	

## Price Charts

### Price Group CB: Continuous-Loop Lift: Merit, Paradigm, Reaction, Resolve

Height up to inches (cm)	Width up to inches (cm) →													
	24 (61.0)	32 (81.3)	36 (91.5)	42 (106.7)	48 (122.0)	54 (137.2)	60 (152.4)	66 (167.7)	72 (182.9)	78 (198.2)	84 (213.4)	96 (243.9)	108 (274.4)	
36 (91.5)	\$219	232	246	260	272	297	324	349	379	478	503	564	618	
42 (106.7)	221	234	256	277	297	328	355	383	417	518	547	610	675	
48 (114.3)	228	241	265	293	320	355	387	421	453	557	592	655	722	
54 (137.2)	234	244	274	309	345	381	419	453	486	599	631	705	779	
60 (152.4)	244	249	284	324	363	407	447	485	519	639	671	755	835	
66 (167.7)	249	255	300	347	391	446	480	519	556	681	710	791	895	
72 (182.9)	257	270	317	368	417	489	514	553	592	722	749	826	949	
78 (198.2)	265	289	338	389	440	502	540	584	629	763	800	878	1004	
84 (213.4)	273	306	356	409	464	517	566	616	664	807	850	930	1056	
96 (243.9)	282	330	389	447	509	568	630	684	737	901	987	1092	1212	
108 (274.4)	304	372	437	503	569	639	706	768	827	1017	1077	1211	1473	
120 (304.8)	335	410	486	562	637	710	784	854	919	1129	1264	1440	1599	
132 (335.3)	401	472	539	622	705	789	873	946	1021	1254	1347	1586	1774	
144 (365.8)	413	506	599	690	783	875	966	1049	1133	1391	1599	1760	1968	

### Option Surcharges: Add Surcharge to Shade Price

Medium Cassette Valance	\$73	83	90	97	110	127	137	153	163	165	180	192	206
Large Cassette Valance	83	97	110	120	127	137	153	163	173	183	197	220	243

### Solar Style and Colors

Merit	Paradigm	Reaction	Resolve
Atmosphere..... 49504	Declaration ..... 49106	Adventures ..... 48702	Joyful..... 48601
Cavalier ..... 49506	Intrepid ..... 49103	Coveted..... 48704	Studio ..... 48602
Clarity ..... 49501	Relic..... 49101	Fate ..... 48703	
Emulation..... 49503			
Exquisite ..... 49505			
Panoramic ..... 49502			

## Price Charts

### Price Group MA: Motorized Lift: Broadcast, Chronicles, Monticello, Plexus 1%, Plexus 3%, Plexus 5%, Standard Weave 1%, Standard Weave 3%, Standard Weave 5%, Standard Weave 10%, Vanguard 1%, Vanguard 3%, Vanguard 5%, Venture

Height up to inches (cm)	Width up to inches (cm) →															
	24 (61.0)	32 (81.3)	36 (91.5)	42 (106.7)	48 (122.0)	54 (137.2)	60 (152.4)	66 (167.7)	72 (182.9)	78 (198.2)	84 (213.4)	96 (243.9)	108 (274.4)	120 (304.8)	132 (335.3)	144 (365.8)
36 (91.5)	\$1878	1926	1981	2033	2060	2139	2163	2228	2263	2299	2370	2512	2659	2829	3049	3361
42 (106.7)	1900	1959	2009	2058	2085	2165	2192	2266	2330	2356	2418	2565	2712	2892	3097	3409
48 (114.3)	1924	1993	2039	2087	2106	2188	2222	2301	2384	2417	2459	2620	2764	2959	3146	3457
54 (137.2)	1947	2027	2068	2112	2133	2214	2252	2336	2409	2473	2506	2675	2817	3021	3197	3506
60 (152.4)	1966	2042	2090	2140	2156	2237	2280	2372	2450	2507	2544	2729	2878	3039	3262	3553
66 (167.7)	1992	2059	2112	2165	2181	2266	2310	2407	2493	2557	2590	2786	2945	3100	3299	3603
72 (182.9)	2010	2074	2131	2186	2238	2291	2339	2444	2536	2611	2647	2844	2995	3157	3370	3668
78 (198.2)	2031	2095	2157	2215	2267	2318	2367	2480	2578	2657	2701	2899	3045	3217	3422	3735
84 (213.4)	2046	2108	2177	2245	2299	2353	2398	2514	2620	2701	2751	2955	3095	3250	3475	3811
96 (243.9)	2086	2161	2218	2276	2332	2388	2431	2552	2664	2749	2809	3019	3210	3363	3587	3928
108 (274.4)	2124	2191	2244	2299	2358	2416	2482	2598	2732	2831	2894	3081	3333	3483	3710	4059
120 (304.8)	2166	2257	2297	2340	2402	2459	2542	2666	2802	2904	2989	3136	3440	3590	3818	4163
132 (335.3)	2209	2288	2314	2385	2462	2543	2593	2739	2874	2986	3074	3186	3556	3703	3933	4281
144 (365.8)	2251	2334	2360	2438	2517	2594	2647	2840	2931	3067	3177	3275	3675	3818	4048	4405

Pricing includes radio frequency motor, power cord, guide cable, cable locks, and large cassette.

#### Motorization Controls

Radio Frequency Remote Controls	
Telis 1 Single Channel RF Remote: White	\$119
Telis 1 Single Channel RF Remote: Black or Silver	194
Telis 1 Single Channel Exterior RF Remote: White/Blue	147
Telis 4 Five Channel RF Remote: White	160
Telis 4 Five Channel RF Remote: Black or Silver	218
Telis 4 Five Channel Exterior RF Remote: White/Blue	161
Telis 16 Channel Remote: White or Silver	649

#### Radio Frequency Wall Switches

DecoFlex Single Channel Wall Switch: White or Ivory	\$308
DecoFlex Single Channel Wall Switch: Black	374
DecoFlex Five Channel Wall Switch: White or Ivory	339
DecoFlex Five Channel Wall Switch: Black	385

#### 120 Volt Exterior Power

120 Volt Exterior Electrical 3-Prong Plug: 15 Amp	\$58
---	------

#### Additional Radio Frequency Controls

RF Wind Sensor (includes exterior power cord with 3-prong plug)	\$578
---	-------

### Solar Style and Colors

Broadcast	Plexus 5%	Standard Weave 10%	Vanguard 5%
Alfresco . . . . . 47504	Soapstone . . . . . 47801	Café Doppio . . . . . 48407	Authentic . . . . . 48309
Cashmere . . . . . 47503	Sublime Gray . . . . . 47812	Calcite . . . . . 48401	Chrome . . . . . 48315
Constellation . . . . . 47501	Tranquility . . . . . 47811	Chiseled . . . . . 48408	Cortina . . . . . 48310
Continental . . . . . 47508	<b>Standard Weave 1%</b>	Infalible . . . . . 48403	Dew . . . . . 48314
Genuine . . . . . 47513	Café Doppio . . . . . 47907	Once . . . . . 48404	Elusive . . . . . 48312
Gourmet . . . . . 47514	Calcite . . . . . 47901	Veranda . . . . . 48405	Homage . . . . . 48317
Motif . . . . . 47505	Chiseled . . . . . 47908	<b>Vanguard 1%</b>	Obsidian . . . . . 48319
Serenade . . . . . 47515	Infalible . . . . . 47903	Authentic . . . . . 47909	Peloton . . . . . 48318
Simplicity . . . . . 47509	Once . . . . . 47904	Chrome . . . . . 47915	Pendulum . . . . . 48316
Sonnet . . . . . 47502	Polished . . . . . 47906	Cortina . . . . . 47910	<b>Venture</b>
Taliesin . . . . . 47506	Veranda . . . . . 47905	Dew . . . . . 47914	Backdrop . . . . . 46906
<b>Chronicles</b>	<b>Standard Weave 3%</b>	Elusive . . . . . 47912	Capture . . . . . 46902
Skyline . . . . . 49202	Café Doppio . . . . . 48207	Homage . . . . . 47917	Iconic . . . . . 46901
Sumatra . . . . . 49203	Calcite . . . . . 48201	Obsidian . . . . . 47919	Minimal . . . . . 46904
Tuxedo . . . . . 49204	Chiseled . . . . . 48208	Peloton . . . . . 47918	Vibe . . . . . 46905
<b>Monticello</b>	Infalible . . . . . 48203	Pendulum . . . . . 47916	
Rust . . . . . 40445	Once . . . . . 48204	<b>Vanguard 3%</b>	
<b>Plexus 1%</b>	Veranda . . . . . 48205	Authentic . . . . . 48209	
Soapstone . . . . . 47601	<b>Standard Weave 5%</b>	Chrome . . . . . 48215	
Sublime Gray . . . . . 47612	Café Doppio . . . . . 48307	Cortina . . . . . 48210	
Tranquility . . . . . 47611	Calcite . . . . . 48301	Dew . . . . . 48214	
<b>Plexus 3%</b>	Chiseled . . . . . 48308	Elusive . . . . . 48212	
Soapstone . . . . . 47701	Infalible . . . . . 48303	Homage . . . . . 48217	
Sublime Gray . . . . . 47712	Once . . . . . 48304	Obsidian . . . . . 48219	
Tranquility . . . . . 47711	Veranda . . . . . 48305	Peloton . . . . . 48218	
		Pendulum . . . . . 48216	

# Price Charts

## Price Group MB: Motorized Lift: Merit, Paradigm, Reaction, Resolve

Height up to inches (cm)	Width up to inches (cm) →												
	24 (61.0)	32 (81.3)	36 (91.5)	42 (106.7)	48 (122.0)	54 (137.2)	60 (152.4)	66 (167.7)	72 (182.9)	78 (198.2)	84 (213.4)	96 (243.9)	108 (274.4)
36 (91.5)	\$1898	1946	2002	2055	2085	2164	2192	2259	2296	2340	2414	2560	2713
42 (106.7)	1919	1978	2032	2082	2110	2194	2223	2298	2366	2402	2464	2618	2771
48 (114.3)	1944	2015	2062	2111	2134	2219	2255	2338	2424	2465	2511	2677	2829
54 (137.2)	1966	2048	2093	2139	2164	2246	2288	2376	2452	2525	2560	2736	2884
60 (152.4)	1987	2064	2115	2169	2186	2273	2318	2415	2496	2563	2602	2796	2950
66 (167.7)	2014	2082	2138	2195	2216	2304	2350	2453	2541	2616	2653	2855	3025
72 (182.9)	2033	2098	2158	2218	2274	2334	2385	2491	2588	2676	2713	2916	3077
78 (198.2)	2054	2120	2186	2249	2306	2362	2414	2530	2632	2723	2769	2974	3133
84 (213.4)	2071	2136	2207	2281	2340	2399	2446	2567	2677	2771	2825	3035	3188
96 (243.9)	2112	2191	2252	2314	2377	2436	2485	2611	2728	2827	2895	3114	3315
108 (274.4)	2152	2224	2282	2343	2406	2472	2543	2665	2804	2920	2988	3186	3461
120 (304.8)	2195	2291	2340	2388	2458	2522	2609	2740	2882	3003	3101	3261	3581
132 (335.3)	2244	2330	2362	2440	2523	2611	2670	2822	2962	3095	3192	3325	3711
144 (365.8)	2286	2378	2412	2498	2585	2670	2732	2930	3029	3190	3318	3428	3846

Pricing includes radio frequency motor, power cord, guide cable, cable locks, and large cassette.

### Motorization Controls

#### Radio Frequency Remote Controls

Telis 1 Single Channel RF Remote: White	\$119
Telis 1 Single Channel RF Remote: Black or Silver	194
Telis 1 Single Channel Exterior RF Remote: White/Blue	147
Telis 4 Five Channel RF Remote: White	160
Telis 4 Five Channel RF Remote: Black or Silver	218
Telis 4 Five Channel Exterior RF Remote: White/Blue	161
Telis 16 Channel Remote: White or Silver	649

#### Radio Frequency Wall Switches

DecoFlex Single Channel Wall Switch: White or Ivory	\$308
DecoFlex Single Channel Wall Switch: Black	374
DecoFlex Five Channel Wall Switch: White or Ivory	339
DecoFlex Five Channel Wall Switch: Black	385

#### 120 Volt Exterior Power

120 Volt Exterior Electrical 3-Prong Plug: 15 Amp	\$58
---	------

#### Additional Radio Frequency Controls

RF Wind Sensor (includes exterior power cord with 3-prong plug)	\$578
---	-------

## Solar Style and Colors

Merit	Paradigm	Reaction	Resolve
Atmosphere . . . . . 49504	Declaration . . . . . 49106	Adventures . . . . . 48702	Joyful . . . . . 48601
Cavalier . . . . . 49506	Intrepid . . . . . 49103	Coveted . . . . . 48704	Studio . . . . . 48602
Clarity . . . . . 49501	Relic . . . . . 49101	Fate . . . . . 48703	
Emulation . . . . . 49503			
Exquisite . . . . . 49505			
Panoramic . . . . . 49502			

## Options Pricing

Options Pricing	
Option	Surcharge
Cable Locks (motorized lift)	No charge
Cassette Valance	Continuous-loop lift: see price chart surcharges Motorized lift: included in price
Component Colors	No charge
Continuous-Loop Lift	Standard: see continuous-loop lift price chart
Specific Channel Assignment (motorized lift)	No charge
Fabric Turned 90° Width for Height (railroaded)	No charge
Guide Cables (motorized lift)	No charge
Hold Down Brackets (continuous-loop lift)	No charge
Motorized Lift	See motorization price list for pricing
Motorized Lift Accessories	See motorization price list for pricing
Reverse Roll	No charge
Seaming	No charge
Stainless Steel Chain	No charge

# GRABER®

Grabber is a brand of Springs Window Fashions, the Best Experience Company 

Grabber and the Grabber logo are registered trademarks of Springs Window Fashions, LLC.  
SheerWeave is a registered trademark of Phifer Incorporated.

19-0749-02 (02/19) 18-10534|S17-4720